

TAG: _____

SUBMITTAL

17 SERIES

Single Zone Mini-Split Inverter System

M4MHW1724A1N0A

M4THS1724A11NA

Specifications

MODEL - Heat Pump Only

	M4MHW1724A / M4THS1724A	
	Cooling	Heating
RATED Volts/PH	208 / 230 / 1	
Frequency (Hz)	60Hz	
Rated Cooling / Heating Capacity (Btu/h):		24000
Minimum Cooling Capacity (@95F) (Btu/h):	22000	-
Maximum Cooling Capacity (@95F) (Btu/h):	6824	-
Minimum Heating Capacity (@47F) (Btu/h):	25249	-
Maximum Heating Capacity (@47F) (Btu/h):	-	5630
Maximum Heating Capacity (@17F) (Btu/h):	-	26614
Total Capacity (W) (High/Standard/Low):	7400/6450/2000	7800/7034/1650
Rated Power Input (W)	1896	2051
Nominal Input Current (A)	11	12
SEER / HSPF	18	10
Air Flow Volume (CFM) ②	677/588/559/500/471/441/412	
Dehumidifying Volume (pt./h)	5.28	
EER (Btu/h)/W / COP	11.3	3.43

Indoor Unit

	M4MHW1724A1N0
Fan Motor Speed (r/min)	1300/1150/1100/1000/ 950/900/850
Fan Motor RLA(A)	0.30
Evaporator	Aluminum Fin-Copper Tube
Pipe Diameter (inch)	2/7
Row Fin Gap (inch)	2-1/18
Coil length (L) x depth (D) x coil width (W) (inch)	33.46 x 1 x 13.5
Output of Swing Motor (W)	2.5
Fuse (A)	3.15
Sound Power Level dB (A) ②	61/56/55/52/50/48/47
Sound PRESSURE Level dB (A) ① ②	51/46/45/42/40/38/37
Uncrated Dimension (W/H/D) (inch)	42 28/64 x 12 51/64 x 9 44/64
Crated Dimension of Package (L/W/H) (inch)	44 29/64 x 16 4/64 x 13 22/64
Net Weight /Gross Weight (lbs)	36.4 / 43.0

Outdoor Unit

	M4THS1724A11N
Compressor Type	Rotary
Compressor Oil	FW68DA or equivalent
L.R.A. (A)	35.0
Compressor RLA(A)	10.45
Compressor Power Input(W)	1330
Throttling Method	Electron expansion valve
Working Temp Range (°F)	-0.4 ~ 122 19.4 ~ 75.2
Condenser	Aluminum Fin-Copper Tube
Pipe Diameter (inch)	2/7
Row Fin Gap (inch)	2 - 1/18
Coil length (L) x depth (D) x coil width (W) (inch)	33.03 x 1.50 x 24.25
Fan Motor Speed (rpm)	880
Output of Fan Motor (W)	60
Fan Motor RLA (A)	0.6
Air Flow Volume of Outdoor Unit (CFM)	3200
Fan Diameter (inch)	20.5
Defrosting Method	-
Sound Power Level dB (A)	67
Sound PRESSURE Level dB (A) ①	57
Uncrated Dimension (W/H/D) (inch)	37 46/64 x 25 63/64 x 15 53/64
Crated Dimension of Package (W/L/H) (inch)	40 33/64 x 17 53/64 x 28 10/64
Net Weight /Gross Weight (lbs)	97.0 / 106.9
Refrigerant Charge (oz)	52.9
MCA	15
MOP	20

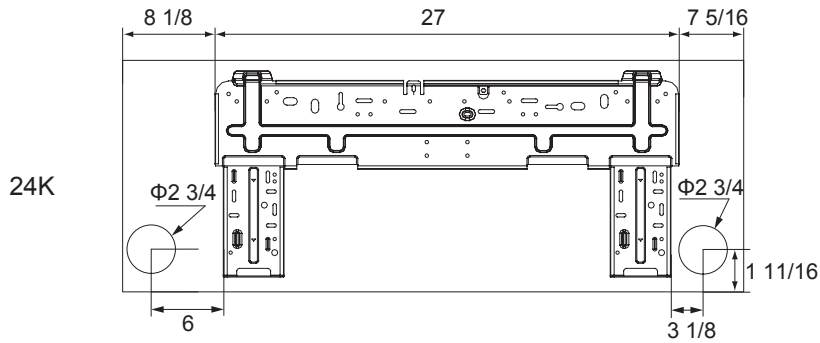
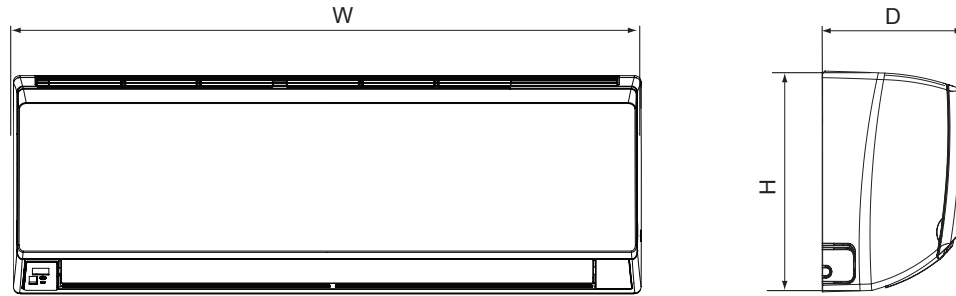
Connection Pipe

Gas additional charge(oz/ft)	0.5
Outer Diameter Liquid Pipe (inch)	1/4
Outer Diameter Gas Pipe (inch)	5/8
Max Height Distance (ft)	32.8
Max Length Distance (ft)	82

① Sound PRESSURE Level @ 3.3 ft. dB(A)

② At noted fan motor speeds

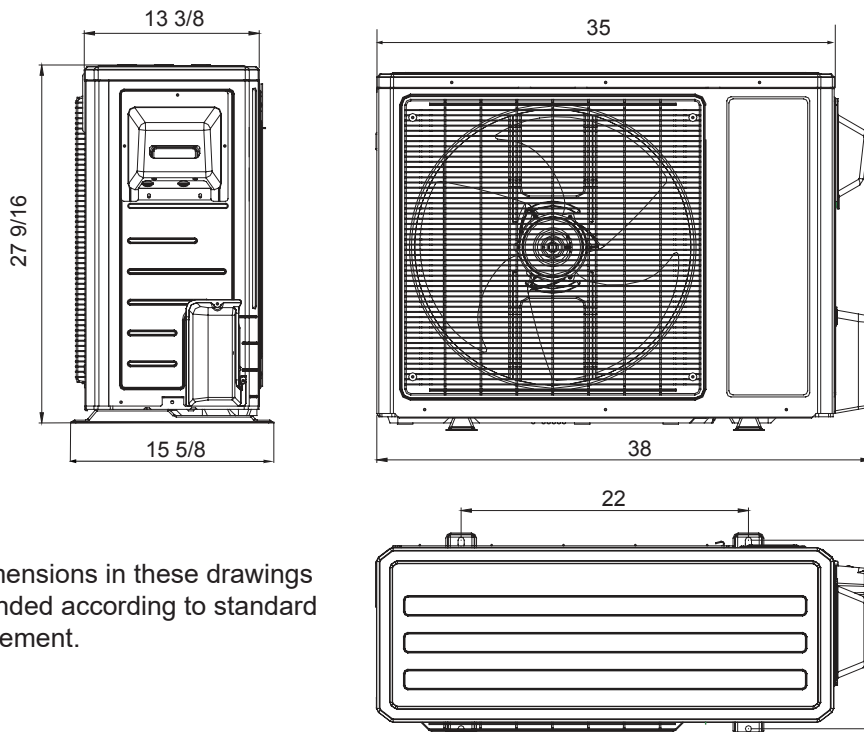
Unit Dimensions



The dimensions in these drawings are rounded according to standard measurement.

Unit: inch

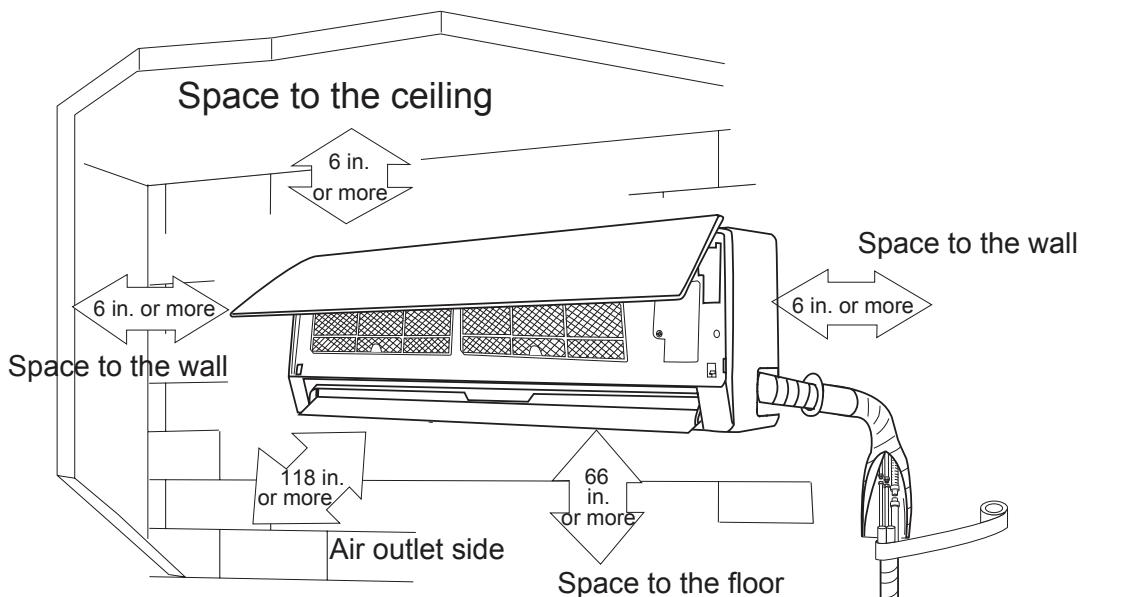
Models	W	H	D
24K	$42 \frac{1}{2}$	$12 \frac{13}{16}$	$9 \frac{11}{16}$



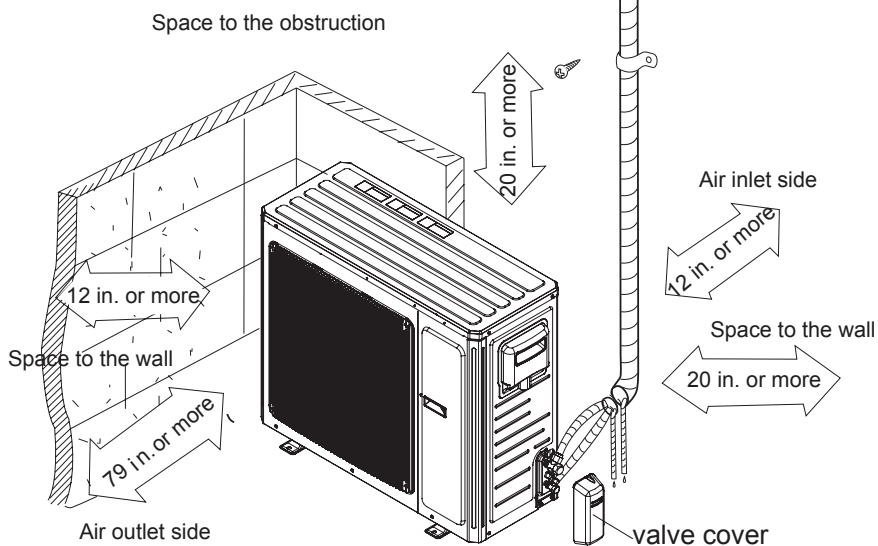
The dimensions in these drawings are rounded according to standard measurement.

Unit: inch

Clearance Requirements



The dimensions of the space necessary for correct installation of the appliance including the minimum permissible distances to adjacent structures



NOTE:

The maximum recommended height from the floor to the bottom of the indoor unit is 11.5 ft. (3.5 m).

Performance Data

M4MHW1724A1N0 / M4THS1724A11N - Cooling Mode Performance Data

Outdoor Ambient Air Temperature		Indoor Entering Air Temperature (Dry Bulb/Wet Bulb)							
		68F DB (20C)		73F DB (23C)		80F DB (27C)		82F DB (28C)	
Coil air		57F WB (14C)		61F WB (16C)		67F WB (19C)		68F WB (20C)	
DB F	DB C	TC*	SHC**	TC	SHC	TC	SHC	TC	SHC
0	-18	7200	5200	9100	6600	11100	8100	12400	9000
5	-15	9400	6900	11400	8300	13300	9700	13800	10100
14	-10	10600	7800	12600	9300	14600	10700	15100	11100
23	-5	11100	8200	13100	9700	15100	11100	15800	11700
32	-0	11600	8600	13600	10100	15600	11600	16500	12300
41	5	13100	9800	15100	11300	17000	12800	17800	13300
50	10	14600	11000	16500	12500	18500	14000	19300	14500
59	15	15600	11800	17500	13300	19500	14800	19800	15000
68	20	16300	12500	18300	14000	20200	15500	20600	15700
77	25	20800	16000	22800	17500	24800	19000	25000	19200
86	30	22400	17400	24400	19000	26400	20400	25400	19700
95	35	20800	16200	22800	17700	24800	19300	26200	20400
104	40	18000	14200	20000	15700	22000	17300	24400	19200
113	45	16500	13100	18500	14600	20600	16200	22400	17800
122	50	14100	11200	16100	12800	18000	14300	20000	15900
129	54	10600	8500	12600	10100	14600	11700	19300	15400

*Total Capacity **Sensible Heat Capacity

M4MHW1724A1N0 / M4THS1724A11N - Heating Mode Performance Data

Outdoor Ambient Air Temperature		Indoor Entering Air Temperature (Dry Bulb/Wet Bulb)							
		68F DB (20C)		73F DB (23C)		80F DB (27C)		82F DB (28C)	
Coil air		57F WB (14C)		61F WB (16C)		67F WB (19C)		68F WB (20C)	
DB F	DB C	TC*	TC	TC	TC	TC	TC	TC	TC
-13	-25	12900	12400	11900	10800				
-4	-20	14200	13700	13200	12100				
0	-18	16100	15600	15000	14000				
6	-14	16900	16300	15800	14800				
10	-12	17400	16900	16300	15300				
16	-9	19200	18600	18100	17000				
19	-7	20000	19500	19000	17900				
24	-4	22600	22200	21600	20600				
32	0	24800	24200	23800	22600				
41	5	26600	26000	25600	24600				
43	6	27400	26800	26400	25400				
47	8	28000	27400	26800	25800				
53	12	28200	27600	27200	26000				
59	15	28400	28000	27400	26400				
64	18	29200	28800	28200	27200				
70	21	30000	29600	29000	28000				
75	24	30800	30400	29800	28800				
78	26	31800	31400	30800	29800				

*Total Capacity

Capacities in these performance tables reflect normal operation at the temperatures indicated. See specification tables for certified values under prescribed test conditions.

Mechanical Specifications

Mini-Split Outdoor Unit

General

This unit is fully charged from the factory for up to 25 feet of piping. This unit is designed to operate at outdoor ambient temperatures as high as 115°F. Cooling capacities with the mini-split air handler shown in the catalog are AHRI certified. The unit is ETL listed for outdoor application.

Unit Casing

The unit casing is constructed of heavy gauge, galvanized steel and painted with a weather-resistant powder paint.

Mini-Split Indoor High Wall

General

The High Wall mounted type air handler shall be completely factory assembled including coil, condensate drain pan, fan motor, washable filter, air purifying filter and electric controls to be used with a wireless remote controller. Unit shall be shipped with a unit mounting plate. Unit shall be matched with an outdoor unit, rated and tested in accordance with AHRI standard. Unit shall be ETL listed.

Unit Casing

Casing shall be provided with knockouts on the right, and left of the unit to facilitate piping and electrical connection on either side of the unit. An electrical service cover shall be provided to permit easy access to the electrical terminal strip.

Refrigerant Controls

Refrigeration system controls include condenser fan and compressor relay. High and low pressure controls are inherent to the compressor. A suction line multi function service valve is standard

Compressor

The compressor features internal over temperature and pressure protection; total dipped hermetic motor windings. Other features include: centrifugal oil pump and low vibration and noise.

Condenser Coil

The coil shall consist of aluminum finned coils brazed to copper tubing. The coil provides air flow resistance and efficient heat transfer. The coil is protected by the casing.

Low Ambient Cooling

Matched ductless products, have cooling capabilities at outdoor ambient temperatures as low as 0° F.

Discharge Airflow and Distribution System

Unit shall have auto swing, dual horizontal blades to optimize the aperture outlet for vertical airflow and air distribution. Blade shall close automatically when the air conditioner is turned off to minimize dust entering the unit. Five-Step preset program on the remote controller shall be available to control the blade angle.

Manually adjusted wide-angle louvers shall be provided to adjust the coverage and direction of airflow.

Controls

Units shall have the capability to be controlled remotely through wall-mounted wired options (**sold separately**) as well as a wireless remote option.

Remote Controller

The unit shall have a wireless infrared remote controller with easy reading digital display panel to start, stop and regulate the air conditioner from a distance.

The wireless controller is included with all units.

Healthy Filters

The unit shall have an active carbon and catechin filter with the unit. The filters need to be cleaned at least once a year.

About Trane and American Standard Heating and Air Conditioning

Trane and American Standard create comfortable, energy efficient indoor environments for residential applications. For more information, please visit www.trane.com or www.americanstandardair.com



The AHRI Certified mark indicates company participation in the AHRI Certification program. For verification of individual certified products, go to ahridirectory.org.

The manufacturer has a policy of continuous data improvement and it reserves the right to change design and specifications without notice. We are committed to using environmentally conscious print practices.

M4MHW1724A-SUB-1B-EN 05 Aug 2022

Supersedes M4MHW1724A-SUB-1A-EN 03 Jun 2022

© 2022