

TAG: _____

SUBMITTAL

17 SERIES

Single Zone Mini-Split Inverter System

M4MCW1709A1N0A
M4TCS1709A11NA

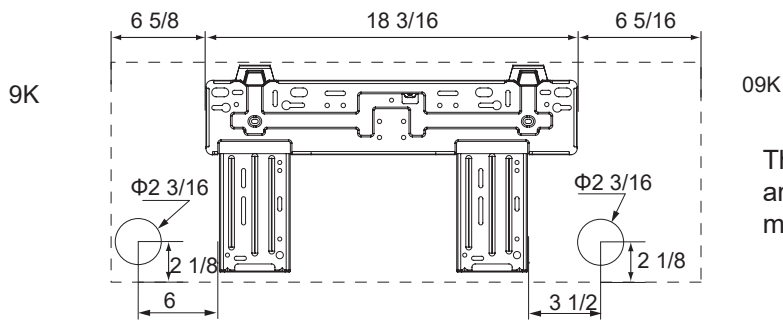
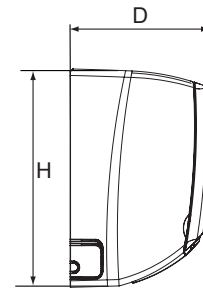
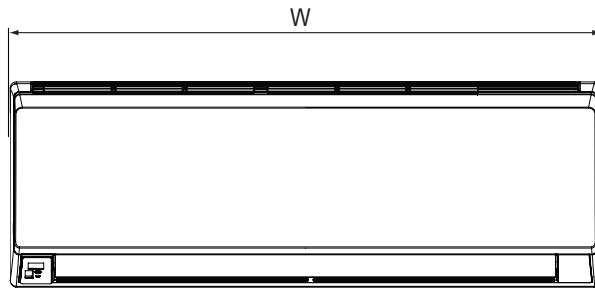
Specifications

MODEL - Cooling Only	M4MCW1709A / M4TCS1709A
RATED Volts/PH	208 / 230 / 1
Frequency (Hz)	60Hz
Rated Cooling Capacity (Btu/h):	9000
Minimum Cooling Capacity (@95F) (Btu/h):	1535
Maximum Cooling Capacity (@95F) (Btu/h):	10577
Total Capacity (W) (High/Standard/Low):	3100 / 2638 / 450
Rated Power Input (W)	1080
Nominal Input Current (A)	5.9
SEER	17
Air Flow Volume (CFM) ②	329.56/294.25/276.595/253/223.63/194.205/176.55
Dehumidifying Volume (pt./h)	1.69
EER (Btu/W hr)	10.7
<hr/>	
Indoor Unit	M4MCW1709A1N0A
Fan Motor Speed (r/min)	1300/1200/1120/1050/920/860/800
Fan Motor RLA(A)	0.28
Evaporator	Aluminum Fin-Copper Tube
Pipe Diameter (inch)	1/5
Row Fin Gap (inch)	2 - 1/18
Coil length (L) x depth (D) x coil width (W) (inch)	23 x 7/8 x 10 1/2
Output of Swing Motor (W)	1.5
Fuse (A)	3.15
Sound Power Level dB (A) ②	50/47/45/43/39/37/36
Sound PRESSURE Level dB (A) ① ②	40/37/35/33/29/27/26
Uncrated Dimension (W/H/D) (inch)	31 1/9 x 10 5/6 x 7 7/8
Crated Dimension of Package (L/W/H) (inch)	33 35/64 x 13 62/64 x 10 48/64
Net Weight /Gross Weight (lbs)	19.8 / 24.3
<hr/>	
Outdoor Unit	M4TCS1709A11NA
Compressor Type	Rotary
Compressor Oil	ZE-GLES RB68GX or equivalent
L.R.A. (A)	-
Compressor RLA(A)	4.7
Compressor Power Input(W)	756.6
Throttling Method	Capillary
Working Temp Range (°F)	0 - 115
Condenser	Aluminum Fin-Copper Tube
Pipe Diameter (inch)	1/5
Row Fin Gap (inch)	1-3/64
Coil length (L) x depth (H) x coil width (W) (inch)	26.57 x 0.45 x 20.25
Fan Motor Speed (rpm)	850
Output of Fan Motor (W)	30
Fan Motor RLA (A)	0.4
Air Flow Volume of Outdoor Unit (CFM)	1950
Fan Diameter (inch)	15 3/4
Defrosting Method	-
Sound Power Level dB (A)	60
Sound PRESSURE Level dB (A) ①	50
Uncrated Dimension (W/H/D) (inch)	28 52/64 x 21 54/64 x 12 63/64
Crated Dimension of Package (L/W/H) (inch)	31 9/64 x 14 44/64 x 23 15/64
Net Weight /Gross Weight (lbs)	50.7/56.2
Refrigerant Charge (oz)	18.0
MCA	9.0
MOP	15.0
<hr/>	
Connection Pipe	
Gas additional charge(oz/ft)	0.2
Outer Diameter Liquid Pipe (inch)	1/4
Outer Diameter Gas Pipe (inch)	3/8
Max Height Distance (ft)	32.8
Max Length Distance (ft)	49.2

① Sound PRESSURE Level @ 3.3 ft. dB(A)

② At noted fan motor speeds

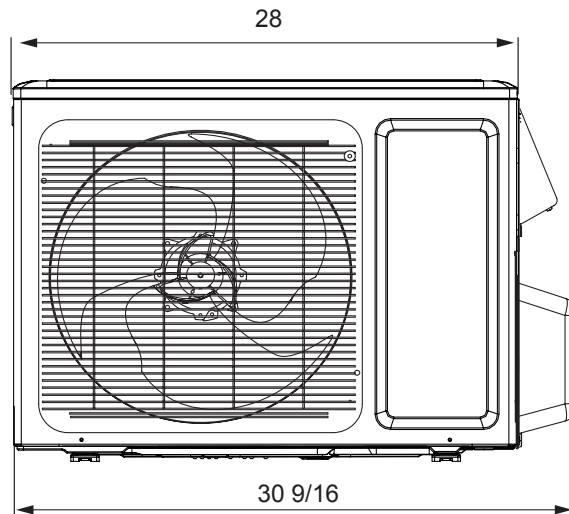
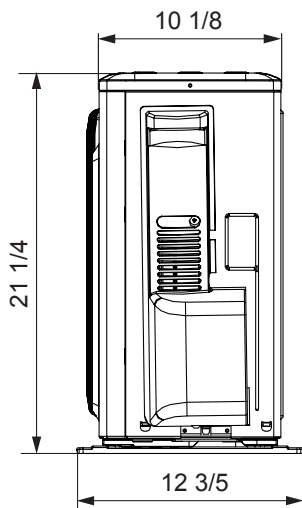
Unit Dimensions



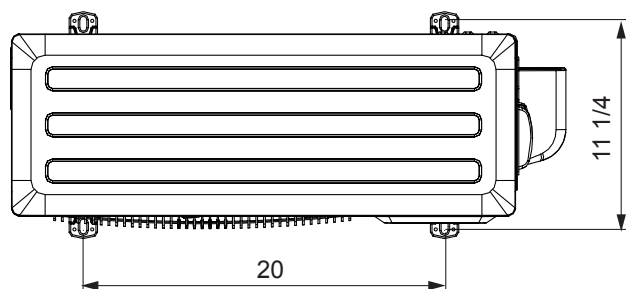
The dimensions in these drawings are rounded according to standard measurement.

Unit: inch

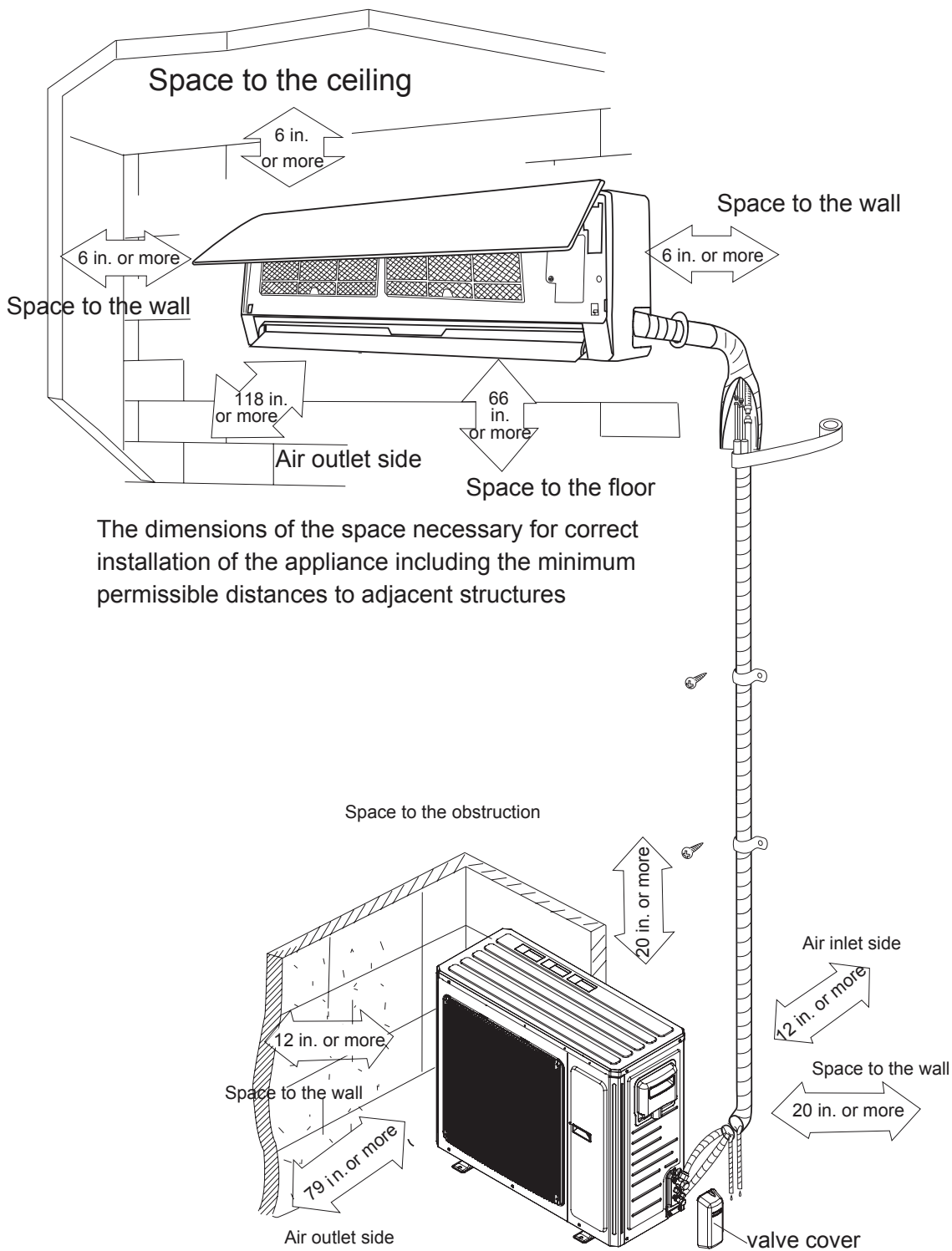
MODEL	W	H	D
09K	31 1/8	10 5/8	7 7/8



The dimensions in these drawings are rounded according to standard measurement.



Clearance Requirements



NOTE:

The maximum recommended height from the floor to the bottom of the indoor unit is 11.5 ft. (3.5 m).

Performance Data

Cooling Capacity 9,000 (Bthu/h)
M4MCW1709A1N0A / M4TCS1709A11NA

Outdoor		68F DB (20C)		73F DB (23C)		80F DB (27C)		82F DB (28C)	
Coil air		57F WB (14C)		61F WB (16C)		67F WB (19C)		68F WB (20C)	
DB F	DB C	TC*	SHC**	TC	SHC	TC	SHC	TC	SHC
0	-18	3100	2200	3800	2700	4500	3300	4600	3400
5	-15	3500	2600	4200	3100	5000	3600	5000	3700
14	-10	4000	2900	4700	3400	5400	4000	5500	4100
23	-5	4100	3100	4900	3600	5600	4100	5700	4300
32	0	4300	3200	5000	3800	5800	4300	5900	4400
41	5	4900	3600	5600	4200	6300	4700	6400	4900
50	10	5400	4100	6100	4600	6800	5200	7000	5300
59	15	5800	4400	6500	4900	7200	5500	7300	5600
68	20	6000	4600	6800	5200	7500	5700	7600	5900
77	25	7600	5800	8300	6400	9000	6900	9200	7100
86	30	8400	6500	9100	7000	9800	7600	10000	7800
95	35	7600	5900	8300	6500	9000	7000	9200	7200
104	40	6700	5200	7400	5800	8100	6400	8300	6500
113	45	6100	4800	6800	5400	7600	6000	7700	6200
122	50	5200	4100	5900	4700	6700	5300	6800	5500
129	54	4000	3200	4700	3700	5400	4300	5500	4400

*Total Capacity **Sensible Heat Capacity

Capacities in these performance tables reflect normal operation at the temperatures indicated. See specification tables above for certified values under prescribed test conditions.

Mechanical Specifications

Mini-Split Outdoor Unit

General

This unit is fully charged from the factory for up to 25 feet of piping. This unit is designed to operate at outdoor ambient temperatures as high as 115°F. Cooling capacities with the mini-split air handler shown in the catalog are AHRI certified. The unit is ETL listed for outdoor application.

Unit Casing

The unit casing is constructed of heavy gauge, galvanized steel and painted with a weather-resistant powder paint.

Refrigerant Controls

Refrigeration system controls include condenser fan and compressor relay. High and low pressure controls are inherent to the compressor. A suction line multi function service valve is standard

Compressor

The compressor features internal over temperature and pressure protection; total dipped hermetic motor windings. Other features include: centrifugal oil pump and low vibration and noise.

Condenser Coil

The coil shall consist of aluminum finned coils brazed to copper tubing. The coil provides air flow resistance and efficient heat transfer. The coil is protected by the casing.

Low Ambient Cooling

Matched ductless products, have cooling capabilities at outdoor ambient temperatures as low as 0° F.

Mini-Split Indoor High Wall

General

The High Wall mounted type air handler shall be completely factory assembled including coil, condensate drain pan, fan motor, washable filter, air purifying filter and electric controls to be used with a wireless remote controller. Unit shall be shipped with a unit mounting plate. Unit shall be matched with an outdoor unit, rated and tested in accordance with AHRI standard. Unit shall be ETL listed.

Unit Casing

Casing shall be provided with knockouts on the right, and left of the unit to facilitate piping and electrical connection on either side of the unit. An electrical service cover shall be provided to permit easy access to the electrical terminal strip.

Discharge Airflow and Distribution System

Unit shall have auto swing, dual horizontal blades to optimize the aperture outlet for vertical airflow and air distribution. Blade shall close automatically when the air conditioner is turned off to minimize dust entering the unit. Five-Step preset program on the remote controller shall be available to control the blade angle.

Manually adjusted wide-angle louvers shall be provided to adjust the coverage and direction of airflow.

Controls

Units shall have the capability to be controlled remotely through wall-mounted wired options (**sold separately**) as well as a wireless remote option.

Remote Controller

The unit shall have a wireless infrared remote controller with easy reading digital display panel to start, stop and regulate the air conditioner from a distance.

The wireless controller is included with all units.

Healthy Filters

The unit shall have an active carbon and catechin filter with the unit. The filters need to be cleaned at least once a year.

About Trane and American Standard Heating and Air Conditioning

Trane and American Standard create comfortable, energy efficient indoor environments for residential applications. For more information, please visit www.trane.com or www.americanstandardair.com



The AHRI Certified mark indicates company participation in the AHRI Certification program. For verification of individual certified products, go to ahridirectory.org.

The manufacturer has a policy of continuous data improvement and it reserves the right to change design and specifications without notice. We are committed to using environmentally conscious print practices.

M4MCW1709A-SUB-1A-EN 03 June 2022

Supersedes (New)

© 2022