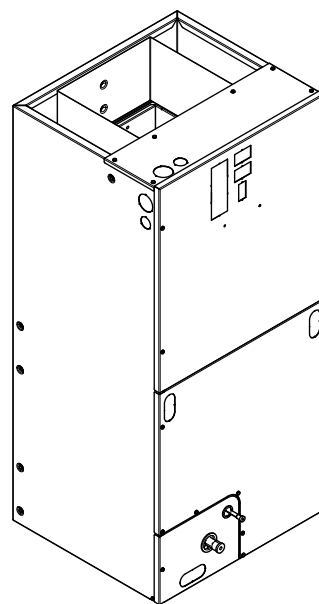
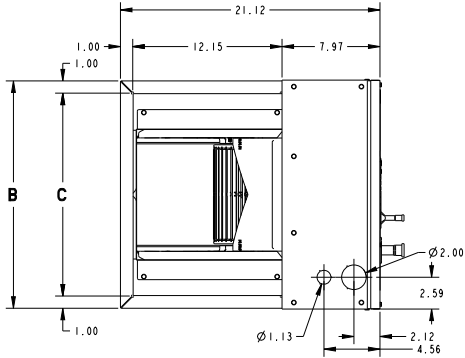


Submittal

3.0 Ton Variable Speed Convertible Air Handler A4AH6V36A1C30B



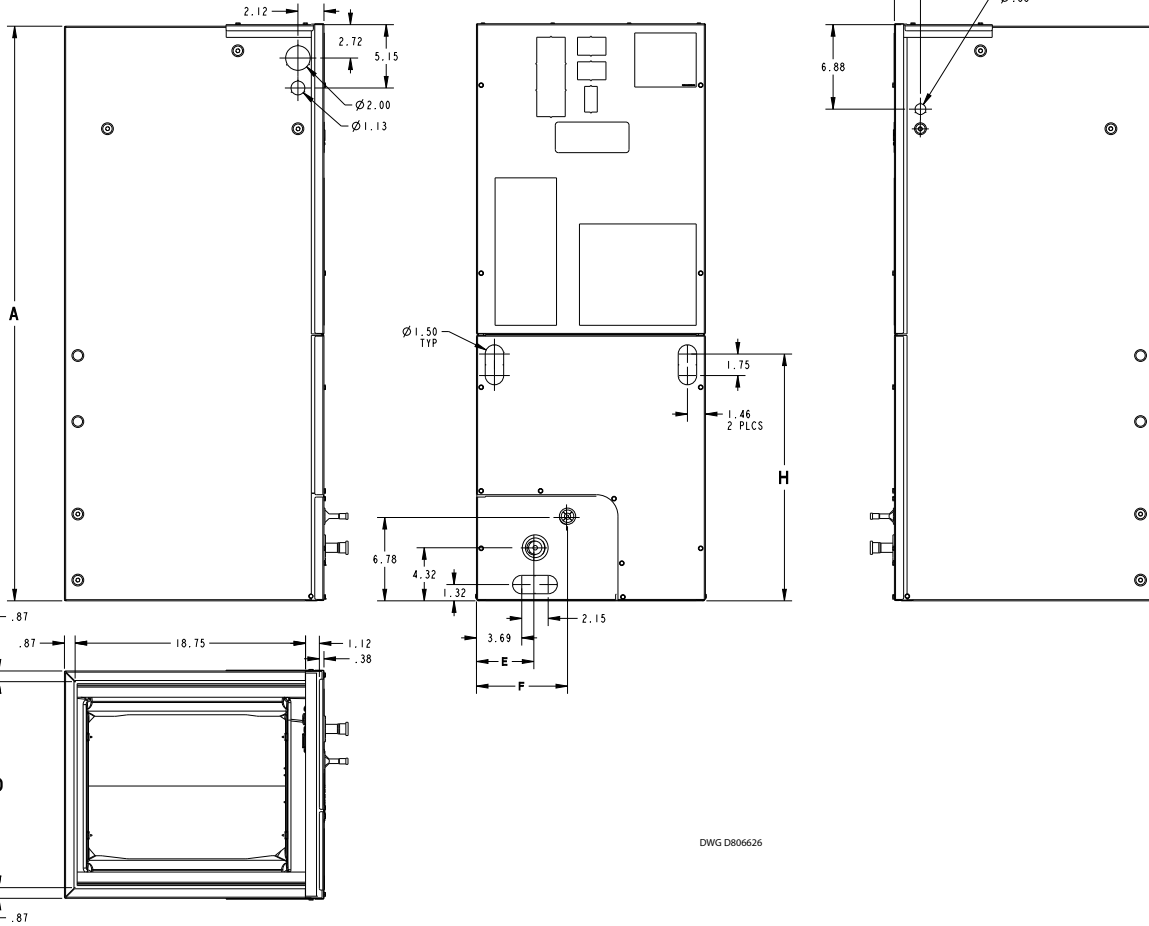
Outline Drawing



| MINIMUM UNIT CLEARANCE TABLE | |
|------------------------------|---------------------------------|
| | SERVICE CLEARANCE (RECOMMENDED) |
| SIDES | 2" |
| FRONT | 21" |
| BACK | 0" |
| INLET DUCT | 1" |
| OUTLET DUCT | N/A |

NOTE: THIS UNIT IS APPROVED FOR INSTALLATION CLEARANCES TO COMBUSTIBLE MATERIAL AS STATED ON THE UNIT RATING NAMEPLATE

ALL DIMENSIONS ARE REFERENCE DIMENSIONS



DWG D806626

| PRODUCT DIMENSIONS | | | | | | | | | |
|------------------------------|-------|-------|-------|-------|------|------|-------|--------------|----------------|
| Air Handler Model | A | B | C | D | E | F | H | Flow Control | Gas Line Braze |
| A4AH6V36A1C | 51.27 | 23.50 | 21.50 | 21.75 | 7.01 | 9.66 | 24.59 | TXV | 7/8 |
| All dimensions are in inches | | | | | | | | | |

Product Specifications

| | |
|---------------------------------------|----------------------------|
| MODEL | A4AH6V36A1C30B |
| RATED VOLTS/PH/HZ | 208-230/1/60 |
| RATINGS^(a) | See O.D. Specifications |
| INDOOR COIL — Type | Plate Fin |
| Rows — F.P.I. | 4 - 14 |
| Face Area (sq. ft.) | 4.59 |
| Tube Size (in.) | 3/8 |
| Refrigerant Control | TXV |
| Drain Conn. Size (in.) ^(b) | 3/4 NPT |
| DUCT CONNECTIONS | See Outline Drawing |
| INDOOR FAN — Type | Centrifugal |
| Diameter-Width (In.) | 11 X 8 |
| No. Used | 1 |
| Drive - No. Speeds | Direct - 16 |
| CFM vs. in. w.g. | See Fan Performance Table |
| No. Motors — H.P. | 1 - 1/2 |
| Motor Speed R.P.M. | Variable |
| Volts/Ph/Hz | 208-230/1/60 |

| | |
|-----------------------------------|--------------------------|
| F.L. Amps | 4.3 |
| FILTER | |
| Filter Furnished? ^(c) | No |
| REFRIGERANT | R-410A |
| Ref. Line Connections | Brazed |
| Coupling or Conn. Size — in. Gas | 7/8 |
| Coupling or Conn. Size — in. Liq. | 3/8 |
| DIMENSIONS | H x W x D |
| Crated (In.) | 52-3/4 x 27-1/2 x 25-1/2 |
| Uncrated | 51-3/8 x 23-1/2 x 21-1/8 |
| WEIGHT | |
| Shipping (Lbs.) / Net (Lbs.) | 155/144 |

^(a) These Air Handlers are A.H.R.I certified with various Split System Air Conditioners and Heat Pumps (AHRI STANDARD 210/240). Refer to the Split System Outdoor Unit Product Data Guides for performance data.

^(b) 3/4" Male Plastic Pipe (Ref: ASTM 1785-76)

^(c) Remote filter required.

Minimum Airflow CFM

| A4AH6V36A1C30B | | |
|--|-----------------------------------|-------------------|
| Heater | Minimum Heater Airflow CFM | |
| | With Heat Pump | Without Heat Pump |
| BAYHTR1504BRK, BAYHTR1504LUG BAYHTR1505BRK, BAYHTR1505LUG | 875 | 675 |
| BAYHTR1508BRK, BAYHTR1508LUG | 950 | 820 |
| BAYHTR1510BRK, BAYHTR1510LUG | 1000 | 820 |
| BAYHTR1517BRK | 1000 | 820 |
| BAYHTR3510LUG | 875 | 820 |
| BAYHTR3517LUG | 1000 | 950 |
| BAYHTR1523BRK | 1300 | 1140 |

| A4AH6V36A1C30B Airflow Performance with Auxiliary Heat | | | | |
|---|---------------------|----------|-----------------|---|
| Airflow Settings | Dip Switch Settings | | Nominal Airflow | See following tables for heater application: - Pressure Drop for Electrical Heaters - Minimum Heating Airflow Matrix (on unit nameplates) |
| | Switch 7 | Switch 8 | | |
| Low | ON | ON | 696 | |
| Med-Lo | OFF | ON | 825 | |
| Med-Hi | ON | OFF | 1150 | |
| High | OFF | OFF | 1298 | |

Heater Pressure Drop Table

| Airflow CFM | Number of Racks | | | | Heater Racks | |
|----------------|---------------------------------|------|------|------|--------------|--------------|
| | 1 | 2 | 3 | 4 | Heater Model | No. of Racks |
| | Air Pressure Drop — Inches W.G. | | | | | |
| 1800 | 0.02 | 0.04 | 0.06 | 0.14 | BAYHTR1504 | 1 |
| 1700 | 0.02 | 0.04 | 0.06 | 0.14 | BAYHTR1505 | 1 |
| 1600 | 0.02 | 0.04 | 0.06 | 0.13 | BAYHTR1508 | 2 |
| 1500 | 0.02 | 0.04 | 0.06 | 0.12 | BAYHTR1510 | 2 |
| 1400 | 0.02 | 0.04 | 0.06 | 0.12 | BAYHTR1517 | 3 |
| 1300 | 0.02 | 0.04 | 0.05 | 0.11 | BAYHTR3510 | 3 |
| 1200 | 0.01 | 0.04 | 0.05 | 0.10 | BAYHTR3517 | 3 |
| 1100 | 0.01 | 0.03 | 0.05 | 0.09 | BAYHTR3515 | 3 |
| 1000 | 0.01 | 0.03 | 0.04 | 0.09 | BAYHTR1523 | 4 |
| 900 | 0.01 | 0.03 | 0.04 | 0.08 | BAYHTR1525 | 4 |
| 800 | 0.01 | 0.03 | | | | |
| 700 | 0.01 | 0.02 | | | | |
| 600 | 0.01 | 0.02 | | | | |

Subcooling Adjustment

| System Matched with: | Indoor Unit Model No. | Outdoor Model No. | Subcooling |
|---|---|--|------------|
| 16 SEER HP — 2 ton | A4AH6V36A1C30 | 4TWR6024H1 4TWX6024H1 4A6H6024H1 A4HP6024A1 | 13 Degrees |
| 15 SEER HP — 2 ton | A4AH6V24A1B30 A4AH6V30A1B30 | 4TWR5024G1 4A6H5024G1 A4HP6024A1 | 14 Degrees |
| 15 SEER HP — 3 ton | A4AH6V30A1B30 A4AH6V36A1C30 A4AH6V42A1C30 | 4TWR5036G1 4A6H5036G1 A4HP6036A1 | 14 Degrees |
| All other matches must be charged per the nameplate charging instructions | | | |

Performance and Electrical Data

1. See Product Data or Air Handler nameplate for approved combinations of Air Handlers and Heaters.
2. Heater model numbers may have additional suffix digits.

Table 1. Air Flow Performance

| A4AH6V36A1C30B COOLING AIRFLOW PERFORMANCE, WET COIL, NO FILTER, NO HEATER | | | | | | | | | | | | |
|---|-----------------------|-----------------|--------------------|-----|-----|-----|---------------|--------------------------|-------------|-------------|-------------|-------------|
| OUTDOOR UNIT SIZE (TONS) | SPEED SETTING | AIRFLOW SETTING | DIP SWITCH SETTING | | | | AIRFLOW POWER | EXTERNAL STATIC PRESSURE | | | | |
| | | | SW1 | SW2 | SW3 | SW4 | | 0.1 | 0.3 | 0.5 | 0.7 | 0.9 |
| 2.5 | LOW | 300 CFM/ton | ON | ON | OFF | ON | CFM Watts | 761 63 | 755 98 | 719 131 | 654 163 | 560 193 |
| | NORMAL | 341 CFM/ton | ON | ON | OFF | OFF | CFM Watts | 862 82 | 861 120 | 834 158 | 781 196 | 700 235 |
| | HIGH | 384 CFM/ton | ON | ON | ON | OFF | CFM Watts | 962 106 | 963 147 | 948 190 | 915 234 | 863 279 |
| 3 | LOW | 319 CFM/ton | OFF | ON | OFF | ON | CFM Watts | 961 106 | 962 147 | 947 189 | 914 233 | 862 279 |
| | NORMAL | 363 CFM/ton | OFF | ON | OFF | OFF | CFM Watts | 1092 146 | 1093 192 | 1082 240 | 1060 288 | 1026 337 |
| | HIGH | 408 CFM/ton | OFF | ON | ON | OFF | CFM Watts | 1231 196 | 1231 249 | 1221 301 | 1203 353 | 1175 404 |
| 3.5 | LOW | 315 CFM/ton | ON | OFF | OFF | ON | CFM Watts | 1104 150 | 1105 197 | 1094 245 | 1072 293 | 1039 343 |
| | NORMAL | 357 CFM/ton | ON | OFF | OFF | OFF | CFM Watts | 1258 209 | 1258 263 | 1248 317 | 1229 369 | 1201 421 |
| | HIGH | 402 CFM/ton | ON | OFF | ON | OFF | CFM Watts | 1418 286 | 1415 347 | 1401 406 | 1379 462 | 1348 516 |
| 4 | LOW | 308 CFM/ton | OFF | OFF | OFF | ON | CFM Watts | 1238 199 | 1238 253 | 1229 306 | 1210 357 | 1182 408 |
| | NORMAL ^(a) | 350 CFM/ton | OFF | OFF | OFF | OFF | CFM Watts | 1412 282 | 1410 344 | 1398 404 | 1378 462 | 1349 517 |
| | HIGH | 394 CFM/ton | OFF | OFF | ON | OFF | CFM Watts | 1570 393 | 1528 436 | 1473 466 | 1406 483 | 1326 488 |

^(a) Factory Default Setting

Table 2. Air Flow Performance

| A4AH6V36A1C30B HEATING AIRFLOW PERFORMANCE, NO FILTER, NO HEATER | | | | | | | | | | | | |
|---|---------------|-----------------|--------------------|-----|-----|-----|---------------|--------------------------|-------------|-------------|-------------|-------------|
| OUTDOOR UNIT SIZE (TONS) | SPEED SETTING | AIRFLOW SETTING | DIP SWITCH SETTING | | | | AIRFLOW POWER | EXTERNAL STATIC PRESSURE | | | | |
| | | | SW1 | SW2 | SW3 | SW4 | | 0.1 | 0.3 | 0.5 | 0.7 | 0.9 |
| 2.5 | LOW | 341 CFM/ton | ON | ON | OFF | ON | CFM Watts | 860 77 | 863 115 | 838 154 | 788 193 | 707 232 |
| | NORMAL | 379 CFM/ton | ON | ON | OFF | OFF | CFM Watts | 949 98 | 953 138 | 937 180 | 906 224 | 852 269 |
| | HIGH | 417 CFM/ton | ON | ON | ON | OFF | CFM Watts | 1042 122 | 1046 166 | 1036 212 | 1015 259 | 980 308 |
| 3 | LOW | 381 CFM/ton | OFF | ON | OFF | ON | CFM Watts | 1147 154 | 1149 203 | 1141 253 | 1123 303 | 1094 353 |
| | NORMAL | 424 CFM/ton | OFF | ON | OFF | OFF | CFM Watts | 1277 204 | 1279 259 | 1272 314 | 1255 368 | 1228 421 |
| | HIGH | 466 CFM/ton | OFF | ON | ON | OFF | CFM Watts | 1409 260 | 1409 323 | 1401 383 | 1384 442 | 1357 500 |
| 3.5 | LOW | 348 CFM/ton | ON | OFF | OFF | ON | CFM Watts | 1222 180 | 1224 232 | 1216 285 | 1200 336 | 1174 388 |
| | NORMAL | 386 CFM/ton | ON | OFF | OFF | OFF | CFM Watts | 1361 240 | 1362 300 | 1354 358 | 1337 415 | 1310 471 |
| | HIGH | 425 CFM/ton | ON | OFF | ON | OFF | CFM Watts | 1497 316 | 1478 372 | 1449 420 | 1408 461 | 1356 494 |

Performance and Electrical Data

Table 2. Air Flow Performance (continued)

| A4AH6V36A1C30B HEATING AIRFLOW PERFORMANCE, NO FILTER, NO HEATER | | | | | | | | | | | | |
|--|---------------|-------------|-----|-----|-----|-----|-----------|-------------|-------------|-------------|-------------|-------------|
| 4 | LOW | 338 CFM/ton | OFF | OFF | OFF | ON | CFM Watts | 1360 239 | 1361 299 | 1353 358 | 1336 415 | 1309 470 |
| | NORMAL (a) | 375 CFM/ton | OFF | OFF | OFF | OFF | CFM Watts | 1511 325 | 1489 380 | 1456 426 | 1412 464 | 1355 493 |
| | HIGH | 413 CFM/ton | OFF | OFF | ON | OFF | CFM Watts | 1659 420 | 1605 463 | 1535 488 | 1450 494 | 1349 483 |

(a) Factory Default Setting

Table 3. Electrical Data

| A4AH6V36A1C30B HEATER DATA | | | | | | | | | | | |
|--------------------------------|----------------------------|----------|-------|-------------------------|--------------------------|-----------------------------|----------|-------|-------------------------|--------------------------|-----------------------------|
| Heater Model No. | No. of Circuits/ Phases | 240 Volt | | | | | 208 Volt | | | | |
| | | Capacity | | Heater Amps per Circuit | Minimum Circuit Ampacity | Maximum Overload Protection | Capacity | | Heater Amps per Circuit | Minimum Circuit Ampacity | Maximum Overload Protection |
| | | kW | BTUH | | | | kW | BTUH | | | |
| No Heater | | | | 4.3 * | 5 | 15 | | | 4.3 * | 5 | 15 |
| BAYHTR1504BRK BAYHTR1504LUG | 1/1 | 3.84 | 13100 | 16.0 | 25 | 25 | 2.88 | 9800 | 13.8 | 23 | 25 |
| BAYHTR1505BRK BAYHTR1505LUG | 1/1 | 4.80 | 16400 | 20.0 | 30 | 30 | 3.60 | 12300 | 17.3 | 27 | 30 |
| BAYHTR1508BRK BAYHTR1508LUG | 1/1 | 7.68 | 26200 | 32.0 | 45 | 45 | 5.76 | 19700 | 27.7 | 40 | 40 |
| BAYHTR1510BRK BAYHTR1510LUG | 1/1 | 9.60 | 32800 | 40.0 | 55 | 60 | 7.20 | 24600 | 34.6 | 49 | 50 |
| BAYHTR1517BRK Circuit 1 (a) | 2/1 | 9.60 | 32800 | 40.0 | 55 | 60 | 7.20 | 24600 | 34.6 | 49 | 50 |
| BAYHTR1517BRK Circuit 2 | | 4.80 | 16400 | 20.0 | 25 | 25 | 3.60 | 12300 | 17.3 | 22 | 25 |
| BAYHTR1523BRK Circuit 1 | 2/1 | 9.60 | 32800 | 40.0 | 55 | 60 | 7.20 | 24600 | 34.6 | 49 | 50 |
| BAYHTR1523BRK Circuit 2 | | 9.60 | 32800 | 40.0 | 50 | 50 | 7.20 | 24600 | 34.6 | 43 | 45 |
| BAYHTR3510LUG | 1/3 | 9.60 | 32800 | 23.1 | 34 | 35 | 7.20 | 24600 | 20.0 | 30 | 30 |
| BAYHTR3517LUG | 1/3 | 14.40 | 49100 | 34.6 | 48 | 50 | 10.80 | 36900 | 30.0 | 42 | 45 |

* = Motor Amps

(a) MCA and MOP for circuit 1 contains the motor amps

Features and Benefits

- Galvanized metal cabinet with captured foil face insulation
- 2% or less air leakage
- R-4.2 Insulating Value
- Multi-Position UP/Down Flow, Horizontal Left /Right
- ALL Aluminum Coil
- Electric Heaters with polarized plug connections (sold as accessory)
- R-410A Thermal Expansion Valve
- Variable Speed ECM Motor
- Low Voltage Pigtail Connections

- Draw Through Design
- Horizontal Drain pan
- Single Color
- Fused 24V Power
- **5 year warranty**
- **Optional extended warranty available**

Important: *Condensate management kit is required for all 5 ton air handler models installed in downflow applications.*

About Trane and American Standard Heating and Air Conditioning

Trane and American Standard create comfortable, energy efficient indoor environments for residential applications. For more information, please visit www.trane.com or www.americanstandardair.com.



The manufacturer has a policy of continuous data improvement and it reserves the right to change design and specifications without notice. We are committed to using environmentally conscious print practices.