

TAG: _____

SUBMITTAL

18 SERIES

Single Zone Mini-Split Inverter System

M4MLW1818A1N0B

M4TLS1818A11NB

Specifications

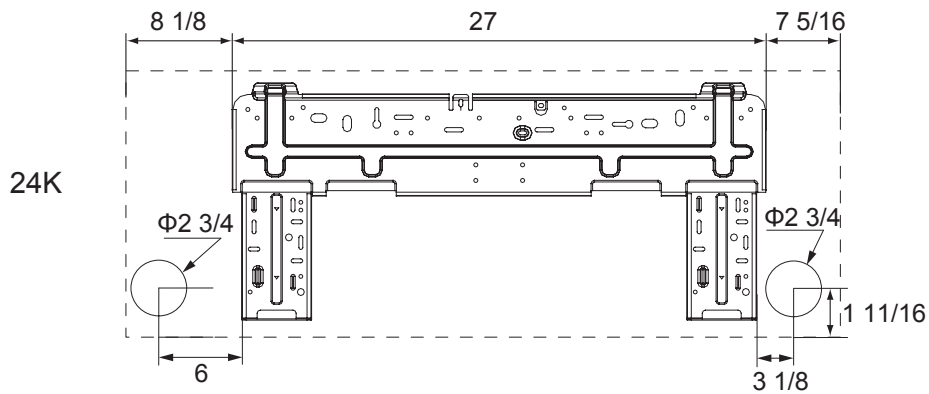
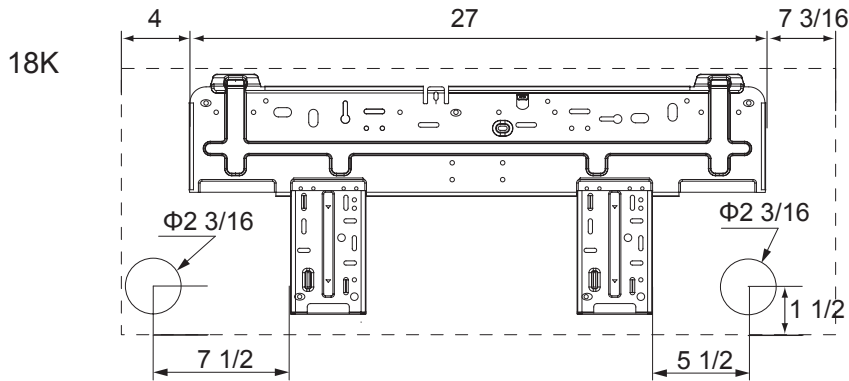
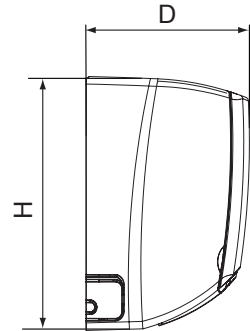
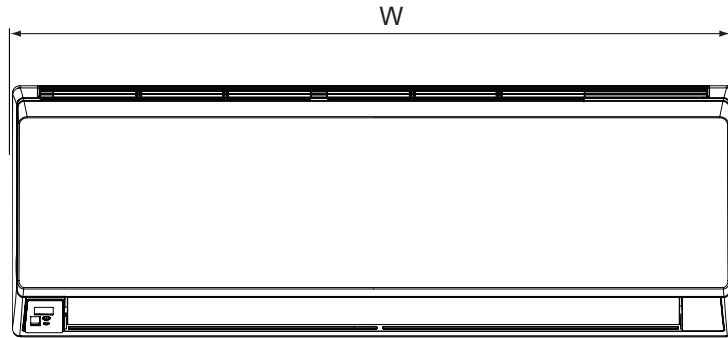
MODEL - Heat Pump Only	M4MLW1818A / M4TLS1818A	
	Cooling	Heating
RATED Volts/PH	208 / 230 / 1	
Frequency (Hz)	60Hz	
Rated Cooling / Heating Capacity (Btu/h):	17800	20000
Minimum Cooling Capacity (@95F) (Btu/h):	3400	-
Maximum Cooling Capacity (@95F) (Btu/h):	20475	-
Minimum Heating Capacity (@47F) (Btu/h):	-	3400
Maximum Heating Capacity (@47F) (Btu/h):	-	21850
Maximum Heating Capacity (@17F) (Btu/h):	-	11600
Total Capacity (W) (High/Standard/Low):	6000 / 5275 / 1000	6400 / 5803 / 1000
Rated Power Input (W)	1820	2090
Nominal Input Current (A)	8.1	8.5
SEER / HSPF	18.0	9.2
Air Flow Volume (CFM) (H/M/L)	850 / 750 / 650 / 500	
Dehumidifying Volume (pt./h)	3.8	
EER (Btu/W hr)/COP	9.9	2.78
Indoor Unit		
M4MLW1818A1N0		
Fan Motor Speed (r/min) (SH/H/M/L)	1350 / 1200 / 1050 / 900	1300 / 1200 / 1100 / 900
Fan Motor RLA(A)	0.37	
Evaporator	Aluminum Fin-Copper Tube	
Pipe Diameter (inch)	0.286	
Row Fin Gap (inch)	2 - 0.055	
Coil length (L) x depth (D) x coil width (W) (inch)	28.0 x 1.0 x 12.0	
Output of Swing Motor (W)	2.5	
Fuse (A)	3.15	
Sound Power Level dB (A)(SH/H/M/L)	57 / 54 / 51 / 45	
Sound PRESSURE Level dB (A)(SH/H/M/L) ①	47 / 44 / 41 / 35	
Uncrated Dimension (W/H/D) (inch)	38.2 x 11.8 x 8.8	
Crated Dimension of Package (L/W/H) (inch)	41 x 15.1 x 12.6	
Net Weight /Gross Weight (lbs)	30.9 / 37.5	
Outdoor Unit		
M4TLS1818A11N		
Compressor Type	Rotary	
Compressor Oil	RB68EB (POE Oil)	
L.R.A. (A)	25	
Compressor RLA(A)	12.08	
Compressor Power Input(W)	1440	
Throttling Method	EEV	
Working Temp Range (°F)	0 - 115	-13 - 75
Condenser	Aluminum Fin-Copper Tube	
Pipe Diameter (inch)	0.37	
Row Fin Gap (inch)	1 - 0.055	
Coil length (l) x depth (D) x coil width (W) (inch)	33.6 x 0.9 x 26	
Fan Motor Speed (rpm)	800	
Output of Fan Motor (W)	60	
Fan Motor RLA (A)	0.52	
Air Flow Volume of Outdoor Unit (CFM)	3200	
Fan Diameter (inch)	20.5	
Defrosting Method	Automatic Defrosting	
Sound Power Level dB (A)	67	
Sound PRESSURE Level dB (A) ①	57	
Uncrated Dimension (W/H/D) (inch)	37.6 x 27.6 x 15.6	
Crated Dimension of Package (W/L/H) (inch)	40.5 x 18 x 29.5	
Net Weight /Gross Weight (lbs)	97.0 / 106.9	
Refrigerant Charge (oz)	45.9	
MCA	16.0	
MOP	25.0	
Connection Pipe		
Refrigerant additional charge(oz/ft)	0.22	
Outer Diameter Liquid Pipe (inch)	1/4	
Outer Diameter Gas Pipe (inch)	1/2	
Max Height Distance (ft)	66	
Max Length Distance (ft)	98	

① Sound PRESSURE Level @ 3.3 ft. dB(A)

Unit Dimensions

Indoor Unit Dimensions, continued

18K-24K Indoor Units



The dimensions in these drawings are rounded according to standard measurement.

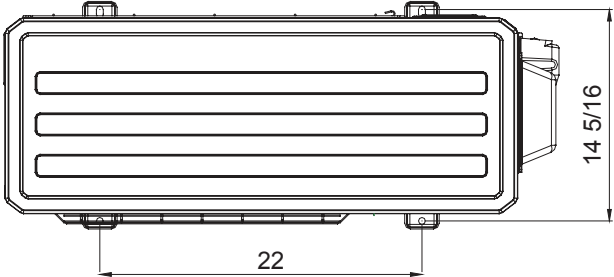
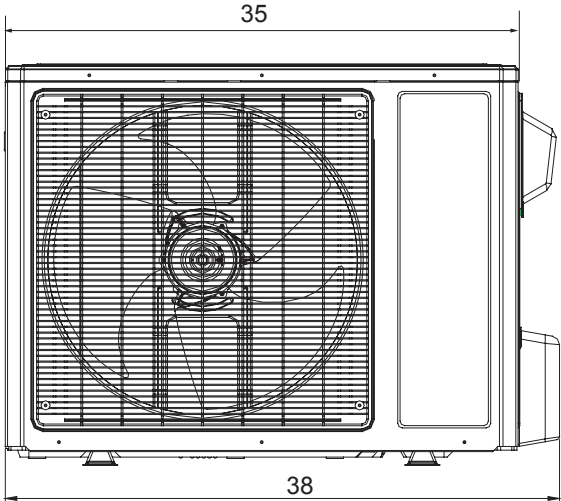
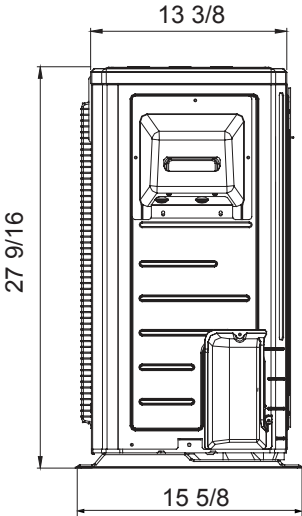
Unit: inch

Models	W	H	D
18K	38 3/16	11 13/16	8 13/16
24K	42 7/16	12 13/16	9 11/16

Unit Dimensions

Outdoor Unit Dimensions

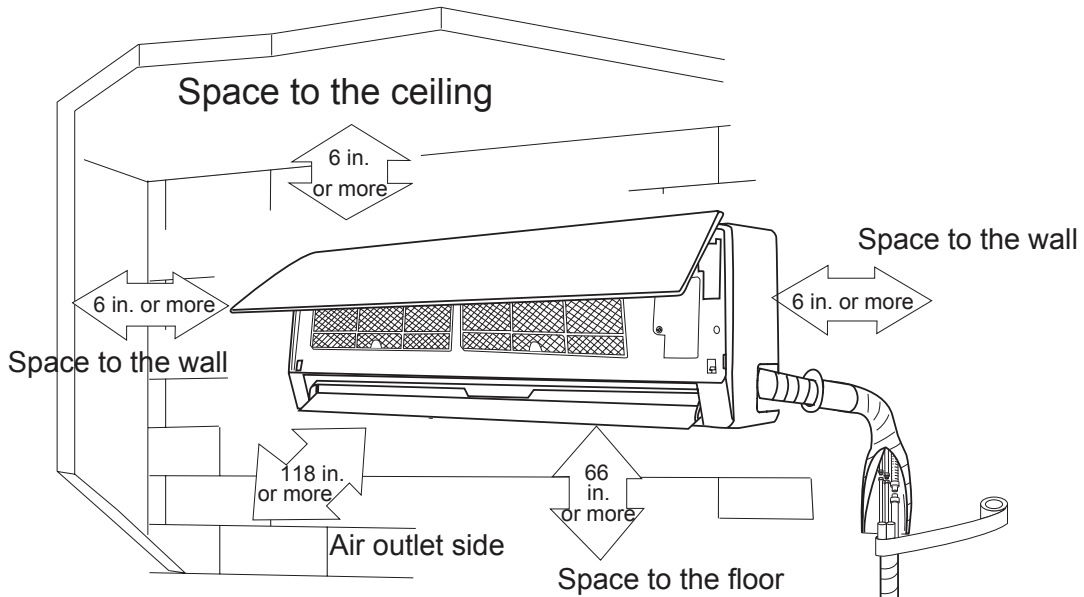
18K-24K Outdoor Units



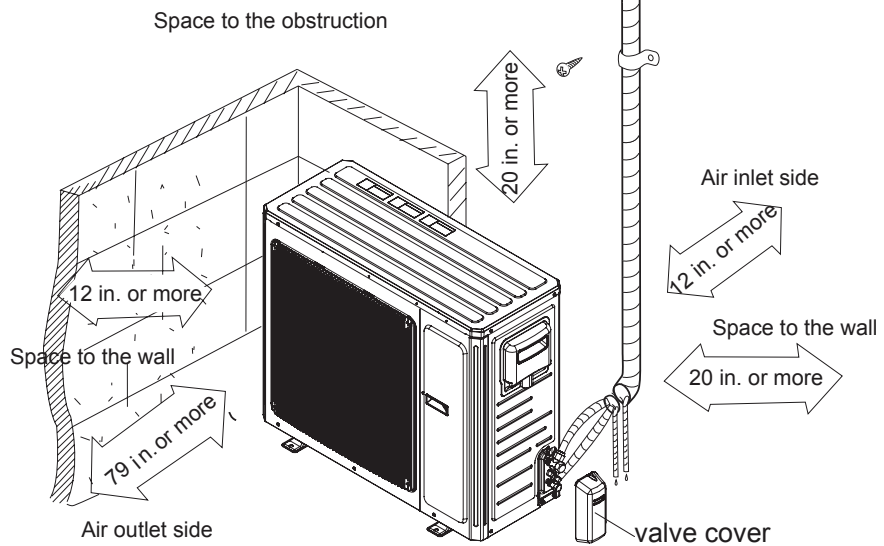
The dimensions in these drawings are rounded according to standard measurement.

Unit: inch

Clearance Requirements



The dimensions of the space necessary for correct installation of the appliance including the minimum permissible distances to adjacent structures



NOTE:

The maximum recommended height from the floor to the bottom of the indoor unit is 11.5 ft. (3.5 m).

Air Velocity Patterns for High Wall		
Max Horizontal Distance		
Unit: ft. (m)		
Model	Cooling Mode	Heating Mode
M4MLW1818A	30.2 (9.2)	21.3 (6.5)

Performance Data

M4TLS1818A1/M4MLW1818A1 - Cooling Mode Performance Data

Outdoor Ambient Air Temperature (°F)	Indoor Entering Air Temperature (Dry Bulb/Wet Bulb)							
	68/57°F		73/61°F		79/64°F		80/67°F	
	TC*	SHC**	TC	SHC	TC	SHC	TC	SHC
0	9000	6800	9500	7200	10500	7900	11600	8100
10	10700	8300	11300	8800	12300	9600	13300	10200
20	12200	9500	13000	10100	14300	11200	15000	11800
30	12900	10100	13800	10800	15400	12000	16000	12600
40	13500	10500	14400	11300	16100	12400	16800	13100
50	14100	11000	15100	11700	17200	13000	16500	12700
55	14700	11500	15800	12300	17300	13300	17500	13500
60	15500	12100	16600	13000	17700	13800	18400	14400
65	16700	13000	17800	13900	18600	14500	19400	15100
70	17300	13500	18400	14400	19200	15000	19900	15600
75	17200	13400	18300	14300	19000	14800	19800	15500
80	12400	13200	18000	14000	18800	14600	19600	15500
85	4400	12800	17500	13600	18600	14400	19200	15500
90	8400	12400	16600	13000	18100	14100	18700	15000
95	15400	12000	15700	12300	17600	13700	18200	14400
100	15000	11700	15300	11900	16800	13500	17500	13900
105	14500	11300	14900	11600	16100	13200	16900	13400
110	14100	11000	14600	11400	15400	12800	16200	12700
115	13700	10700	14300	11100	14800	12500	15500	12100

*Total Capacity **Sensible Heat Capacity

M4TLS1818A1/M4MLW1818A1 - Heating Mode Performance Data

Outdoor Ambient Air Temperature (°F)	Indoor Entering Air Temperature			
	68°F	73°F	80°F	82°F
	TC*	TC	TC	TC
-13	9800	9700	9200	9100
-10	10400	10100	9800	9700
-5	11000	10600	10400	10300
0	12000	11500	11300	11200
5	12500	12000	11800	11700
10	13100	12600	12300	12200
15	13400	12900	12600	12500
20	14000	13500	13200	13100
25	15300	14800	14500	14400
30	16400	15800	15500	15400
35	17400	16900	16600	16400
40	18500	17900	17600	17400
45	19900	19400	19000	18800
50	20800	20200	19800	19600
55	21100	20400	20000	19800
60	21500	20800	20400	20200
65	21900	21200	20800	20600
70	22200	21500	21100	20900
75	22500	21800	21400	21200

*Total Capacity

Capacities in these performance tables reflect normal operation at the temperatures indicated. See specification tables for certified values under prescribed test conditions.

Mechanical Specifications

Mini-Split Outdoor Unit

General

This unit is fully charged from the factory for up to 25 feet of piping. This unit is designed to operate at outdoor ambient temperatures as high as 115°F. Cooling capacities with the mini-split air handler shown in the catalog are AHRI certified. The unit is ETL listed for outdoor application.

Unit Casing

The unit casing is constructed of heavy gauge, galvanized steel and painted with a weather-resistant powder paint.

Refrigerant Controls

The compressor motor and condenser fan motor are controlled and monitored by an integrated electronic module. Additionally, the same module monitors sensors to control refrigerant flow through the sealed system as well as air flow.

Compressor

The compressor features internal over temperature and pressure protection; total dipped hermetic motor windings. Other features include: centrifugal oil pump and low vibration and noise.

Condenser Coil

The condenser coil is constructed from aluminum plate fins and copper tubing. The coil provides air flow resistance and efficient heat transfer.

Low Ambient Operation

Matched ductless products, have cooling capabilities at outdoor ambient temperatures as low as 0° F and heating capabilities at outdoor ambient temperatures as low as -13° F.

Mini-Split Indoor High Wall

General

The High Wall mounted type air handler shall be completely factory assembled including coil, condensate drain pan, fan motor, washable filter, air purifying filter and electric controls to be used with a wireless remote controller. Unit shall be shipped with a unit mounting plate. Unit shall be matched with an outdoor unit, rated and tested in accordance with AHRI standard. Unit shall be ETL listed.

Unit Casing

Casing shall be provided with knockouts on the right, and left of the unit to facilitate piping and electrical connection on either side of the unit. An electrical service cover shall be provided to permit easy access to the electrical terminal strip.

Discharge Airflow and Distribution System

Unit shall have auto swing, dual horizontal blades to optimize the aperture outlet for vertical airflow and air distribution.

Blade shall close automatically when the air conditioner is turned off to minimize dust entering the unit. Five-Step preset program on the remote controller shall be available to control the blade angle.

Manually adjusted wide-angle louvers shall be provided to adjust the coverage and direction of airflow.

Controls

Units shall have the capability to be controlled remotely through wall-mounted wired options (**sold separately**) as well as a wireless remote option.

Remote Controller

The unit shall have a wireless infrared remote controller with easy reading digital display panel to start, stop and regulate the air conditioner from a distance.

The wireless controller is included with all units.

Healthy Filters

The unit shall have an active carbon and catechin filter with the unit. The filters need to be cleaned at least once a year.

About Trane and American Standard Heating and Air Conditioning

Trane and American Standard create comfortable, energy efficient indoor environments for residential applications. For more information, please visit www.trane.com or www.americanstandardair.com



The AHRI Certified mark indicates company participation in the AHRI Certification program. For verification of individual certified products, go to ahridirectory.org.

The manufacturer has a policy of continuous data improvement and it reserves the right to change design and specifications without notice. We are committed to using environmentally conscious print practices.