

# Installer's Guide

## Quick Start Kit

**BAYQSTK300A**  
**BAYQSTK301A**

### **⚠ WARNING: HAZARDOUS VOLTAGE – DISCONNECT POWER BEFORE SERVICING**

ALL phases of this installation must comply with NATIONAL, STATE AND LOCAL CODES

**IMPORTANT**—This Document is customer property and is to remain with this unit. Please return to service information pack upon completion of work.

### General Data

Be sure that the kit you order matches the one required for your unit model number:

- Use BAYQSTK300A for 4WC\*\* and 4TC\*\* units (excludes 4TCA and 4WCA).
- Use BAYQSTK301A for 4YC\*\*, 4DC\*\*, 4TCA and 4WCA units.

### Identify Kit Contents

The kit consists of the CSR relay and the CS capacitor assembly mounted on the bracket. Also in the kit are four (4) screws to mount the bracket in the Control Box compartment.

### Inspect Kit Contents

Check carefully for any shipping damage. This must be reported to and claims made against the transportation company immediately. Any missing parts should be reported to your supplier at once, and replaced with authorized parts only.

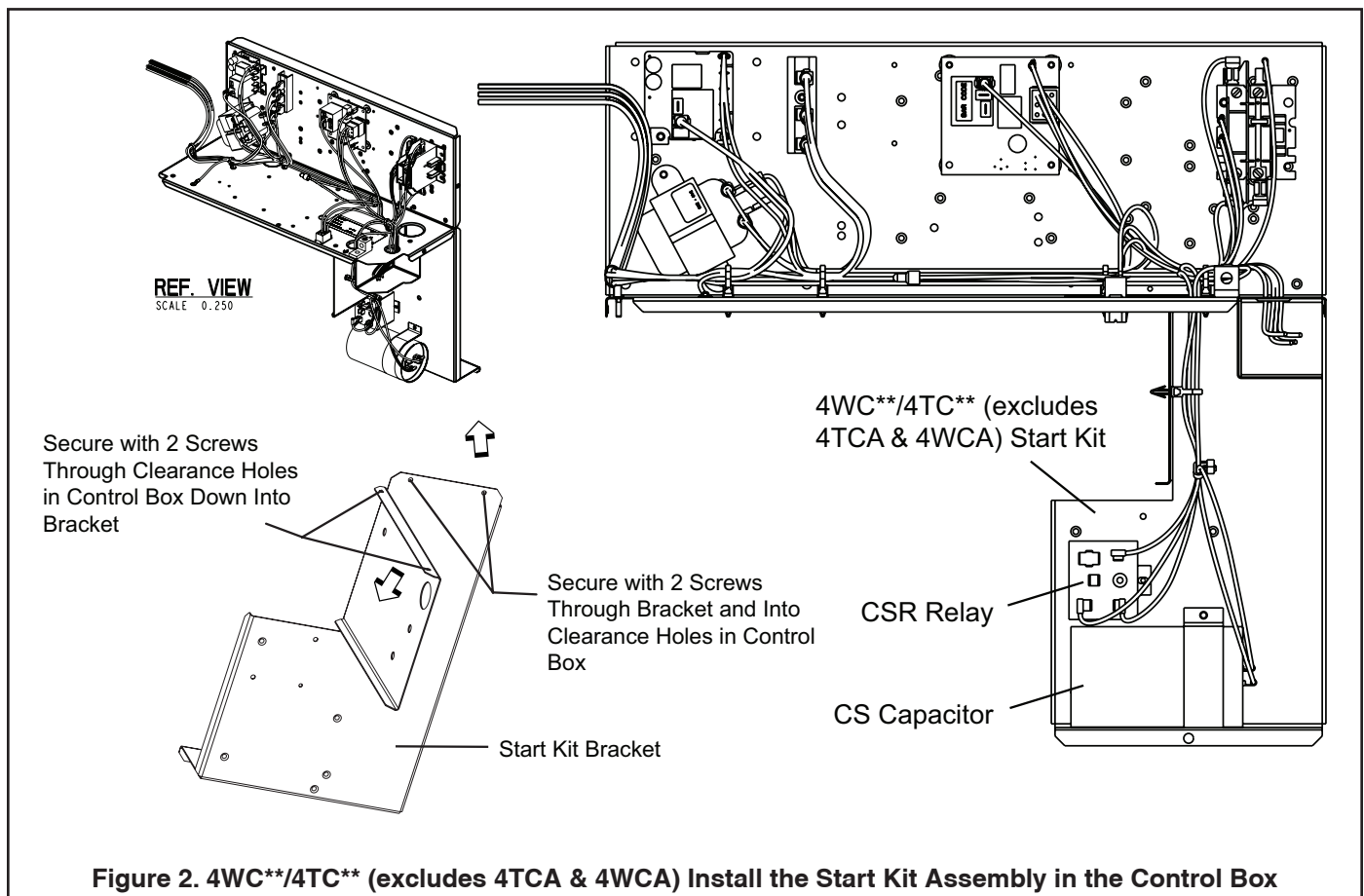
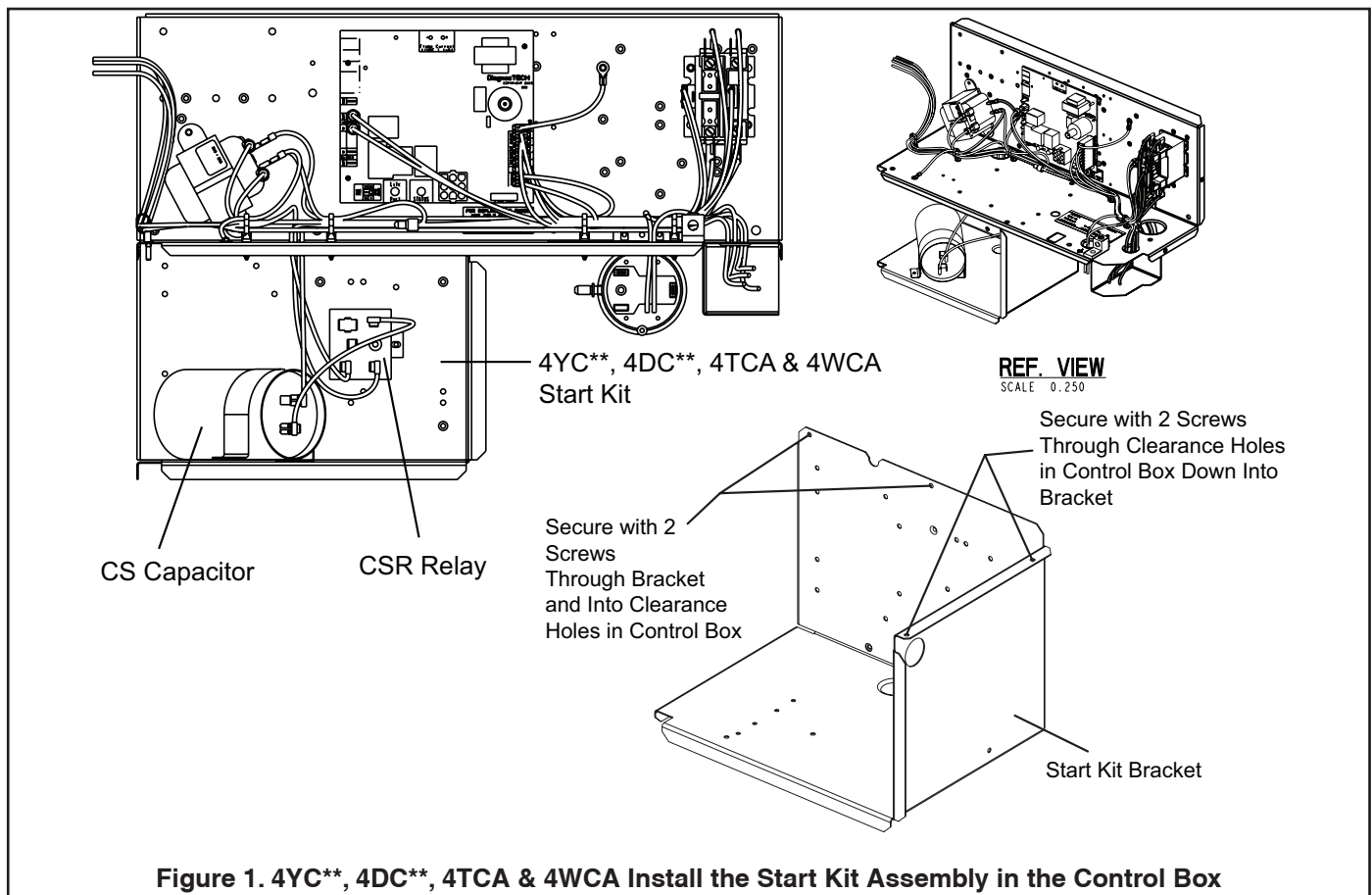
### Install Quick Start Kit

1. Remove the Control Box access panel.
2. Mount the start kit assembly components in the Control Box compartment as illustrated in Figure 1 or Figure 2. Use the mounting screws provided.
3. Connect the three (3) wires from the start kit to the Control Box wiring as follows:
  - Use the wiring diagram in Figure 3 for Dual capacitor models.
  - Use the wiring diagram in Figure 4 for Single capacitor models.

Also, refer to unit wiring diagram (located on the backside of the Control Box access panel) for details of wire connections.
4. Replace the Control Box access panel.
5. Close the unit disconnect.
6. Check the unit for proper operation.

### **⚠ WARNING**

To prevent injury or death due to electrical shock or contact with moving parts. Lock unit disconnect switch in open position before servicing unit.



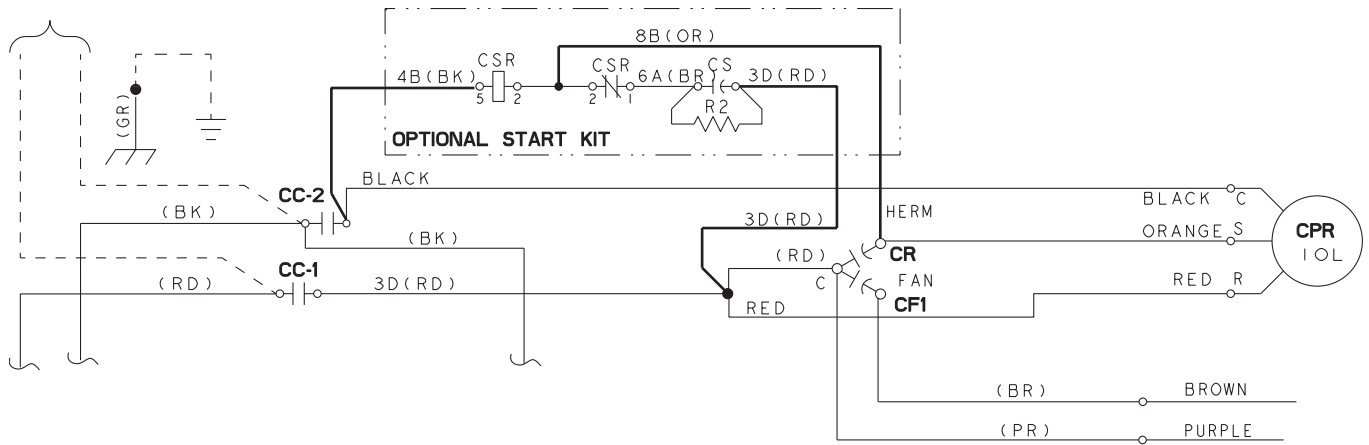


Figure 3. Wiring Diagram for Dual Capacitor Models

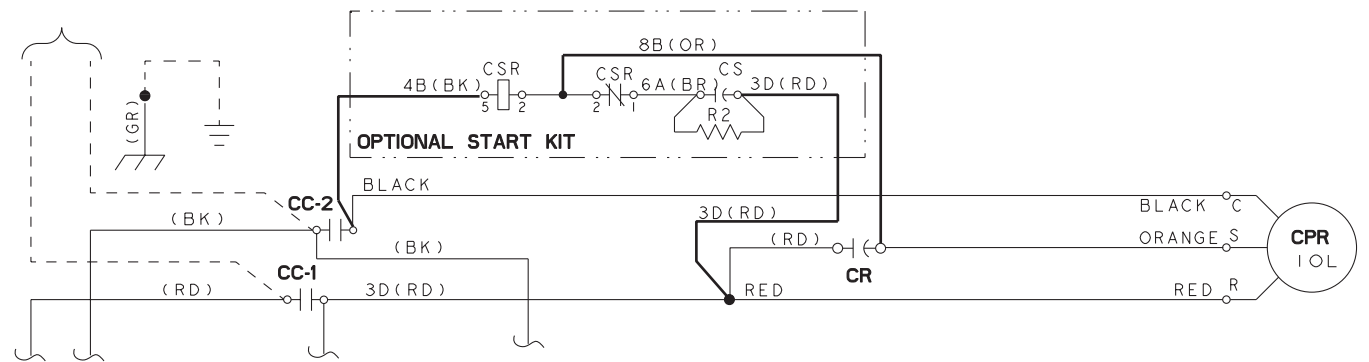


Figure 4. Wiring Diagram for Single Capacitor Models

## About Trane and American Standard Heating and Air Conditioning

Trane and American Standard create comfortable, energy efficient indoor environments for residential applications. For more information, please visit [www.trane.com](http://www.trane.com) or [www.americanstandardair.com](http://www.americanstandardair.com)

---

The manufacturer has a policy of continuous data improvement and it reserves the right to change design and specifications without notice. We are committed to using environmentally conscious print practices.

18-HE76D1-4B-EN 09 Jun 2020  
Supersedes 18-HE76D1-4A-EN (March 2019)

© 2020