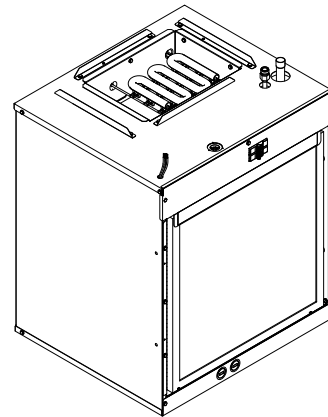


Submittal

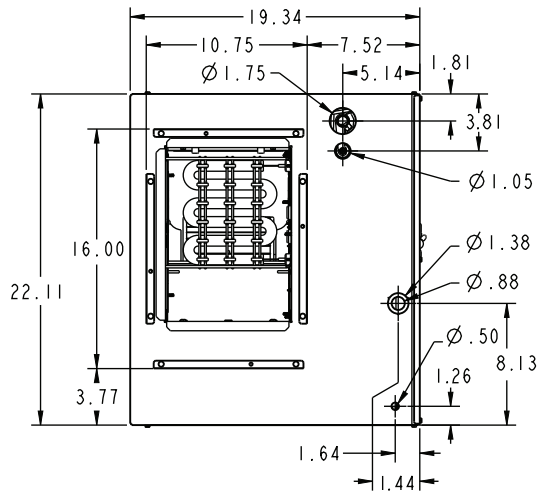
Wall Mount Air Handlers 3 Tons With Factory Installed 10 KW Heater

AC models
GMU2AEB37101SA

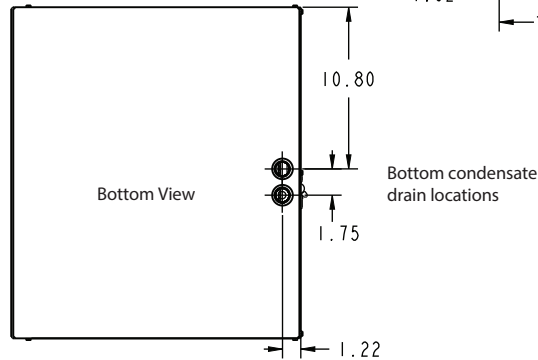
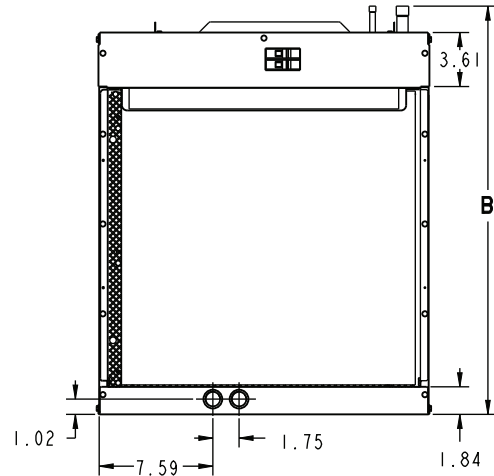
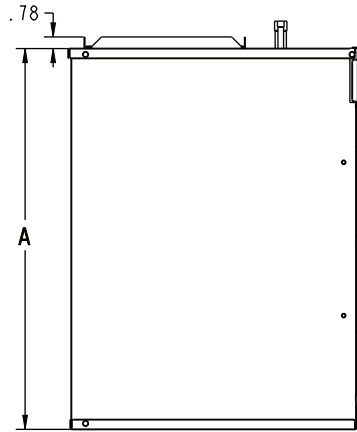


The GMU and GMV series air handlers are designed for wall mount or flush mount installations in a closet, utility room, alcove, or basement. These versatile units are applicable to air conditioning and heat pump applications. Several models are available to meet the specific requirements of the outdoor equipment. Electric resistance heaters are factory installed.

Outline Drawing



Minimum Unit Clearance Table		
	To Combustible Material (Required)	Service Clearance (Recommended)
Sides	0"	0"
Front	0"	21"
Back	0"	0"
Outlet Duct & Plenum	0"	N/A
Condensate Piping Below Cabinet	N/A	3"
TXV/Orifice Above Unit	N/A	9"



PRODUCT DIMENSIONS					
Air Handler Model	A	B	Gas Line Braze	Liquid Line Braze	Filter Size
GMU2APB30, GMU2AEB37	29.43	31.26	3/4	3/8	20 x 24 x 1
All dimensions are in inches					

Performance and Electrical Data

GMU2AEB37101SA, GMU2AEB37051SA					
External Static (in w. g.)	Airflow				
	Speed Taps - 208-230 Volts				
	High	Med-High †	Med	Med-Low	Low
0.1	1129.5	1074.5	965.3	782.6	613.2
0.2	1107.0	1048.9	936.3	752.1	578.1
0.3	1084.0	1023.3	908.0	718.6	538.9
0.4	1060.3	997.8	880.5	692.2	495.7
0.5	1035.9	972.5	853.6	642.8	448.4
0.6	1011.0	947.1	827.4	600.4	697.1
0.7	985.5	921.9	802.0	555.1	341.7

Note:

1. Shaded boxes represent airflow outside the required 300-450 CFM/ton
2. Values are wet coil, no filter
3. CFM correction for dry coil = Add 3%
4. † = Factory default setting

Model No.	Heater Model No.	Number of Circuits / Phases	Motor Amps	Minimum Blower Speed		240 Volt				
				Without Heat Pump	With Heat Pump	Capacity		Heater Amps per Circuit	Minimum Circuit Ampacity	Maximum Overload Protection
						kW	BTUH			
GMU2AEB37101SA	BAYHTRG610BRK	1/1	2.90	Low	N/A	9.6	32800	40	54	60
Model No.	Heater Model No.	Number of Circuits / Phases	Motor Amps	Minimum Blower Speed		208 Volt				
				Without Heat Pump	With Heat Pump	Capacity		Heater Amps per Circuit	Minimum Circuit Ampacity	Maximum Overload Protection
						kW	BTUH			
GMU2AEB37101SA	BAYHTRG610BRK	1/1	2.90	Low	N/A	7.2	24600	34.6	47	50

Fixed Orifice Superheat Charging Table

	Indoor Wet Bulb Temp (F)																													
	50	51	52	53	54	55	56	57	58	59	60	61	62	63	64	65	66	67	68	69	70	71	72	73	74	75	76	77	78	
55	7	9	10	11	12	14	15	17	18	20	21	23	24	26	27	29	30													
60	5	7	8	9	10	12	13	15	16	18	19	21	22	24	25	27	28	30	31											
65			4	6	8	10	11	13	14	16	17	18	19	21	22	24	25	27	28	27	31									
70					5	7	8	10	11	13	14	16	17	18	19	21	22	24	25	27	28	30	31							
75							5	6	7	9	10	12	14	16	18	19	21	22	24	26	28	29	31	32						
80									4	6	7	9	10	11	12	14	16	18	19	21	23	25	26	28	29	31	33			
85											4	6	7	9	10	13	14	16	18	20	21	23	24	26	28	29	30	31	32	
90													4	6	8	10	11	13	14	16	18	20	22	24	25	27	28	30	31	
95															4	6	8	10	13	14	16	18	20	22	23	25	26	28	29	
100																	6	8	10	12	13	16	18	20	21	23	25	27	29	
105																	4	6	7	9	11	13	15	18	20	22	24	26	28	
110																			4	7	9	11	13	16	18	21	23	26	28	
115																					6	9	12	14	16	19	21	24	26	

Using a digital psychrometer, measure the return air wet-bulb temperature at the unit just before the coil. Also measure the outdoor dry-bulb temperature. Use these temperatures to locate the target superheat on the charging table. Do not attempt to charge the system if these conditions fall outside of this charging table.
 ADD refrigerant to DECREASE total superheat. REMOVE refrigerant to INCREASE total superheat. Always allow 10 to 15 minutes of operation after any refrigerant or air flow change prior to determining the final superheat.

Product Specifications

MODEL	GMU2AEB37101SA
RATED VOLTS/PH/HZ	208-230/1/60
RATINGS	See O.D. Specifications
INDOOR COIL — TYPE	Plate Fin
Refrigerant Control	Orifice
Drain Conn. Size. (in.)	3/4" NPT
FACTORY INSTALLED HEATER	10 KW
DUCT CONNECTION	10.75 x 16.00
INDOOR MOTOR — TYPE	CTM
Diameter-Width (in.)	10 — 6
No. Used	1
Drive — No. Speeds	Direct — 3
CFM vs. in.W.G.	See Airflow Table
No. Motors — HP	1 — 1/3
Motor Speed RPM	825
Volts/Ph/Hz	208-230/1/60
F.L. Amps	2.9
FILTER	
Filter Furnished?	Yes
Filter Size (in.)	20 x 24 x 1
REFRIGERANT	R-410A
Ref. Line Connections	Brazed
Coupling or Conn Size — in. Gas	3/4
Coupling or Conn Size — in. Liq. ^(a)	3/8
DIMENSIONS (HxWxD)	
Crated (in.)	33 x 22.5 x 20
Uncrated (in.)	29.43 x 22.11 x 19.34
WEIGHT	
Shipping / Net (lbs)	73 / 70

^(a) Includes a mechanical fitting with a 3/8" braze connection

Features

Table 1. Standard Features

Table 2. Optional Accessories

Use with all GMU2 and GMV2 models
<ul style="list-style-type: none"> • BAYTGM1WALLPNL — Wall Mount Panel Quantity 1 • BAYTGM5WALLPNL — Wall Mount Panel Quantity 5
Use with GMU2APB24 and GMV2APB26 models
<ul style="list-style-type: none"> • BAYFRT5LVPNL26 — Louver Panel Quantity 5 • BAYFRT1LVPNL26 — Louver Panel Quantity 1
Use with GMU2APB30, GMU2AEB37, GMV2APB32, GMV2AEB39 models
<ul style="list-style-type: none"> • BAYFRT5LVPNL30 — Louver Panel Quantity 5 • BAYFRT1LVPNL30 — Louver Panel Quantity 1

Table 3. Optional Orifice Kits

Outdoor Unit Capacity (Tons)	Orifice Size (R410A or R22)	Orifice Kit Number
1.5	0.049	BAYORIACHP0049
2.0	0.057	BAYORIACHP0057
2.5	0.061	BAYORIACHP0061
3.0	0.067	BAYORIACHP0067

About Trane and American Standard Heating and Air Conditioning

Trane and American Standard create comfortable, energy efficient indoor environments for residential applications. For more information, please visit www.trane.com or www.americanstandardair.com.



The manufacturer has a policy of continuous data improvement and it reserves the right to change design and specifications without notice. We are committed to using environmentally conscious print practices.