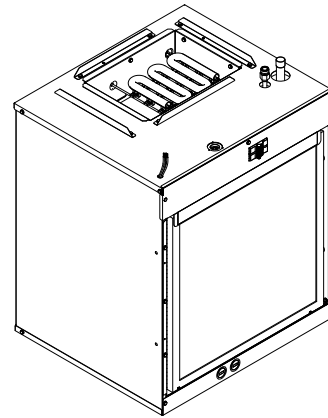


# Submittal

## Wall Mount Air Handlers

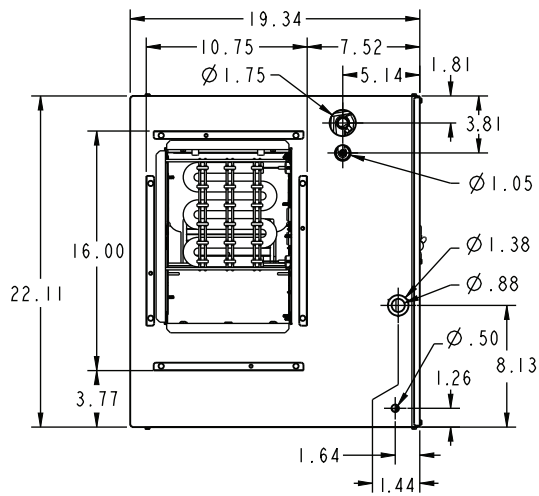
AC models

GMU2AEB37051SA

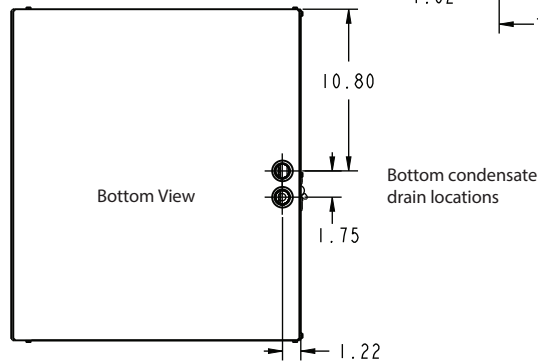
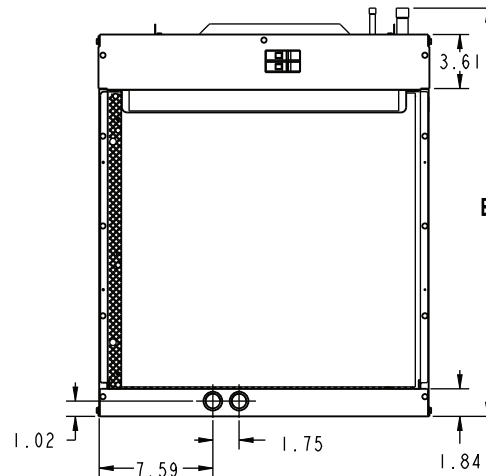
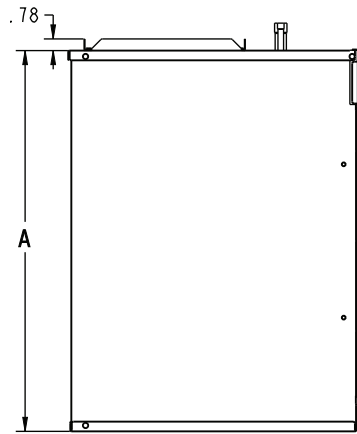


*The GMU and GMV series air handlers are designed for wall mount or flush mount installations in a closet, utility room, alcove, or basement. These versatile units are applicable to air conditioning and heat pump applications. Several models are available to meet the specific requirements of the outdoor equipment. Electric resistance heaters are factory installed.*

# Outline Drawing



| Minimum Unit Clearance Table    |                                    |                                 |
|---------------------------------|------------------------------------|---------------------------------|
|                                 | To Combustible Material (Required) | Service Clearance (Recommended) |
| Sides                           | 0"                                 | 0"                              |
| Front                           | 0"                                 | 21"                             |
| Back                            | 0"                                 | 0"                              |
| Outlet Duct & Plenum            | 0"                                 | N/A                             |
| Condensate Piping Below Cabinet | N/A                                | 3"                              |
| TXV/Orifice Above Unit          | N/A                                | 9"                              |



| PRODUCT DIMENSIONS           |       |       |                |                   |             |
|------------------------------|-------|-------|----------------|-------------------|-------------|
| Air Handler Model            | A     | B     | Gas Line Braze | Liquid Line Braze | Filter Size |
| GMU2APB30, GMU2AEB37         | 29.43 | 31.26 | 3/4            | 3/8               | 20 x 24 x 1 |
| All dimensions are in inches |       |       |                |                   |             |

# Performance and Electrical Data

| GMU2AEB37101SA, GMU2AEB37051SA |                            |            |       |         |       |
|--------------------------------|----------------------------|------------|-------|---------|-------|
| External Static (in w. g.)     | Airflow                    |            |       |         |       |
|                                | Speed Taps - 208-230 Volts |            |       |         |       |
|                                | High                       | Med-High † | Med   | Med-Low | Low   |
| 0.1                            | 1129.5                     | 1074.5     | 965.3 | 782.6   | 613.2 |
| 0.2                            | 1107.0                     | 1048.9     | 936.3 | 752.1   | 578.1 |
| 0.3                            | 1084.0                     | 1023.3     | 908.0 | 718.6   | 538.9 |
| 0.4                            | 1060.3                     | 997.8      | 880.5 | 692.2   | 495.7 |
| 0.5                            | 1035.9                     | 972.5      | 853.6 | 642.8   | 448.4 |
| 0.6                            | 1011.0                     | 947.1      | 827.4 | 600.4   | 697.1 |
| 0.7                            | 985.5                      | 921.9      | 802.0 | 555.1   | 341.7 |

Note:

1. Shaded boxes represent airflow outside the required 300-450 CFM/ton
2. Values are wet coil, no filter
3. CFM correction for dry coil = Add 3%
4. † = Factory default setting

| Model No.      | Heater Model No. | Number of Circuits / Phases | Motor Amps | Minimum Blower Speed |                | 240 Volt |       |                         |                          |                             |
|----------------|------------------|-----------------------------|------------|----------------------|----------------|----------|-------|-------------------------|--------------------------|-----------------------------|
|                |                  |                             |            | Without Heat Pump    | With Heat Pump | Capacity |       | Heater Amps per Circuit | Minimum Circuit Ampacity | Maximum Overload Protection |
|                |                  |                             |            |                      |                | kW       | BTUH  |                         |                          |                             |
| GMU2AEB37051SA | BAYHTRG605BRK    | 1/1                         | 2.90       | Low                  | N/A            | 4.8      | 16400 | 20                      | 29                       | 30                          |
| Model No.      | Heater Model No. | Number of Circuits / Phases | Motor Amps | Minimum Blower Speed |                | 208 Volt |       |                         |                          |                             |
|                |                  |                             |            | Without Heat Pump    | With Heat Pump | Capacity |       | Heater Amps per Circuit | Minimum Circuit Ampacity | Maximum Overload Protection |
|                |                  |                             |            |                      |                | kW       | BTUH  |                         |                          |                             |
| GMU2AEB37051SA | BAYHTRG605BRK    | 1/1                         | 2.90       | Low                  | N/A            | 3.6      | 12300 | 17.3                    | 25                       | 25                          |

## Fixed Orifice Superheat Charging Table

| Outdoor Dry Bulb Temperature (F) | Indoor Wet Bulb Temp (F) |    |    |    |    |    |    |    |    |    |    |    |    |    |    |    |    |    |    |    |    |    |    |    |    |    |    |    |    |
|----------------------------------|--------------------------|----|----|----|----|----|----|----|----|----|----|----|----|----|----|----|----|----|----|----|----|----|----|----|----|----|----|----|----|
|                                  | 50                       | 51 | 52 | 53 | 54 | 55 | 56 | 57 | 58 | 59 | 60 | 61 | 62 | 63 | 64 | 65 | 66 | 67 | 68 | 69 | 70 | 71 | 72 | 73 | 74 | 75 | 76 | 77 | 78 |
| 55                               | 7                        | 9  | 10 | 11 | 12 | 14 | 15 | 17 | 18 | 20 | 21 | 23 | 24 | 26 | 27 | 29 | 30 |    |    |    |    |    |    |    |    |    |    |    |    |
| 60                               | 5                        | 7  | 8  | 9  | 10 | 12 | 13 | 15 | 16 | 18 | 19 | 21 | 22 | 24 | 25 | 27 | 28 | 30 | 31 |    |    |    |    |    |    |    |    |    |    |
| 65                               |                          |    | 4  | 6  | 8  | 10 | 11 | 13 | 14 | 16 | 17 | 18 | 19 | 21 | 22 | 24 | 25 | 27 | 28 | 27 | 31 |    |    |    |    |    |    |    |    |
| 70                               |                          |    |    |    | 5  | 7  | 8  | 10 | 11 | 13 | 14 | 16 | 17 | 18 | 19 | 21 | 22 | 24 | 25 | 27 | 28 | 30 | 31 |    |    |    |    |    |    |
| 75                               |                          |    |    |    |    |    | 5  | 6  | 7  | 9  | 10 | 12 | 14 | 16 | 18 | 19 | 21 | 22 | 24 | 26 | 28 | 29 | 31 | 32 |    |    |    |    |    |
| 80                               |                          |    |    |    |    |    |    |    | 4  | 6  | 7  | 9  | 10 | 11 | 12 | 14 | 16 | 18 | 19 | 21 | 23 | 25 | 26 | 28 | 29 | 31 | 33 |    |    |
| 85                               |                          |    |    |    |    |    |    |    |    |    | 4  | 6  | 7  | 9  | 10 | 13 | 14 | 16 | 18 | 20 | 21 | 23 | 24 | 26 | 28 | 29 | 30 | 31 | 32 |
| 90                               |                          |    |    |    |    |    |    |    |    |    |    | 4  | 6  | 8  | 10 | 11 | 13 | 14 | 16 | 18 | 20 | 22 | 24 | 25 | 27 | 28 | 30 | 31 |    |
| 95                               |                          |    |    |    |    |    |    |    |    |    |    |    |    | 4  | 6  | 8  | 10 | 13 | 14 | 16 | 18 | 20 | 22 | 23 | 25 | 26 | 28 | 29 |    |
| 100                              |                          |    |    |    |    |    |    |    |    |    |    |    |    |    |    | 6  | 8  | 10 | 12 | 13 | 16 | 18 | 20 | 21 | 23 | 25 | 27 | 29 |    |
| 105                              |                          |    |    |    |    |    |    |    |    |    |    |    |    |    |    | 4  | 6  | 7  | 9  | 11 | 13 | 15 | 18 | 20 | 22 | 24 | 26 | 28 |    |
| 110                              |                          |    |    |    |    |    |    |    |    |    |    |    |    |    |    |    |    | 4  | 7  | 9  | 11 | 13 | 16 | 18 | 21 | 23 | 26 | 28 |    |
| 115                              |                          |    |    |    |    |    |    |    |    |    |    |    |    |    |    |    |    |    |    | 6  | 9  | 12 | 14 | 16 | 19 | 21 | 24 | 26 |    |

Using a digital psychrometer, measure the return air wet-bulb temperature at the unit just before the coil. Also measure the outdoor dry-bulb temperature. Use these temperatures to locate the target superheat on the charging table. Do not attempt to charge the system if these conditions fall outside of this charging table.  
 ADD refrigerant to DECREASE total superheat. REMOVE refrigerant to INCREASE total superheat. Always allow 10 to 15 minutes of operation after any refrigerant or air flow change prior to determining the final superheat.

# Product Specifications

|   |                         |
|---|-------------------------|
| <b>MODEL</b>                                    | GMU2AEB37051SA          |
| <b>RATED VOLTS/PH/HZ</b>                        | 208-230/1/60            |
| <b>RATINGS</b>                                  | See O.D. Specifications |
| <b>INDOOR COIL — TYPE</b>                       | Plate Fin               |
| Refrigerant Control                             | Orifice                 |
| Drain Conn. Size. (in.)                         | 3/4" NPT                |
| <b>FACTORY INSTALLED HEATER</b>                 | 5 KW                    |
| <b>DUCT CONNECTION</b>                          | 10.75 x 16.00           |
| <b>INDOOR MOTOR — TYPE</b>                      | CTM                     |
| Diameter-Width (in.)                            | 10 — 6                  |
| No. Used  | 1                       |
| Drive — No. Speeds                              | Direct — 3              |
| CFM vs. in.W.G.                                 | See Airflow Table       |
| No. Motors — HP                                 | 1 — 1/3                 |
| Motor Speed RPM                                 | 825                     |
| Volts/Ph/Hz                                     | 208-230/1/60            |
| F.L. Amps                                       | 2.9                     |
| <b>FILTER</b>                                   |                         |
| Filter Furnished?                               | Yes                     |
| Filter Size (in.)                               | 20 x 24 x 1             |
| <b>REFRIGERANT</b>                              | R-410A                  |
| Ref. Line Connections                           | Brazed                  |
| Coupling or Conn Size — in. Gas                 | 3/4                     |
| Coupling or Conn Size — in. Liq. <sup>(a)</sup> | 3/8                     |
| <b>DIMENSIONS (HxWxD)</b>                       |                         |
| Crated (in.)                                    | 33 x 22.5 x 20          |
| Uncrated (in.)                                  | 29.43 x 22.11 x 19.34   |
| <b>WEIGHT</b>                                   |                         |
| Shipping / Net (lbs)                            | 73 / 70                 |

<sup>(a)</sup> Includes a mechanical fitting with a 3/8" braze connection

# Features

**Table 1. Standard Features**

- GALVANIZED STEEL EXTERIOR
- STURDY POLYCARBONATE DRAIN PAN
- 208/230 VAC OPERATION
- ECM MULTI-SPEED DIRECT DRIVE CTM BLOWER (GMU2AEB37101SA and GMV2AEB39101SA only)
- MULTI-SPEED DIRECT DRIVE PSC BLOWER
- FACTORY SUPPLIED R-410A THERMAL EXPANSION VALVE ON GMV MODELS
- ALL ALUMINUM COIL
- MEETS THE MINIMUM LEAKAGE REQUIREMENTS FOR THE FLORIDA AND CALIFORNIA BUILDING CODES
- FRONT RETURN
- Factory installed 5, 8, and 10 KW SINGLE PHASE ELECTRIC HEATERS
  - Circuit breakers on all heaters
- SUPPLY DUCT FLANGES

**Table 2. Optional Accessories**

- Use with all GMU2 and GMV2 models
- BAYTGM1WALLPNL — Wall Mount Panel Quantity 1
  - BAYTGM5WALLPNL — Wall Mount Panel Quantity 5
- Use with GMU2APB24 and GMV2APB26 models
- BAYFRT5LVPNL26 — Louver Panel Quantity 5
  - BAYFRT1LVPNL26 — Louver Panel Quantity 1
- Use with GMU2APB30, GMU2AEB37, GMV2APB32, GMV2AEB39 models
- BAYFRT5LVPNL30 — Louver Panel Quantity 5
  - BAYFRT1LVPNL30 — Louver Panel Quantity 1

**Table 3. Optional Orifice Kits**

| Outdoor Unit Capacity (Tons) | Orifice Size (R410A or R22) | Orifice Kit Number |
|------------------------------|-----------------------------|--------------------|
| 1.5                          | 0.049                       | BAYORIACHP0049     |
| 2.0                          | 0.057                       | BAYORIACHP0057     |
| 2.5                          | 0.061                       | BAYORIACHP0061     |
| 3.0                          | 0.067                       | BAYORIACHP0067     |

## About Trane and American Standard Heating and Air Conditioning

Trane and American Standard create comfortable, energy efficient indoor environments for residential applications. For more information, please visit [www.trane.com](http://www.trane.com) or [www.americanstandardair.com](http://www.americanstandardair.com).

---



The manufacturer has a policy of continuous data improvement and it reserves the right to change design and specifications without notice. We are committed to using environmentally conscious print practices.