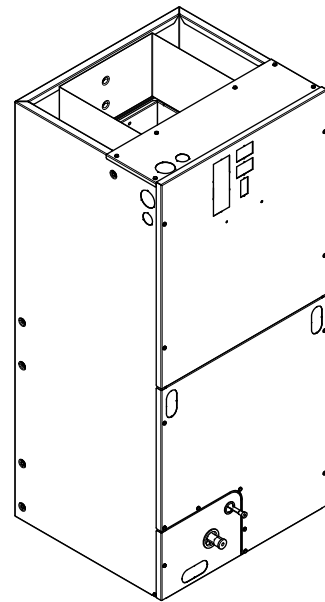
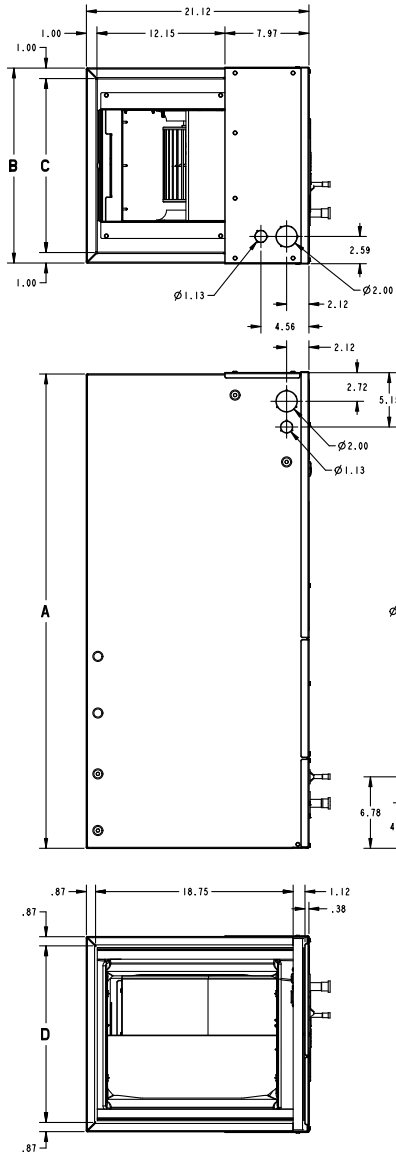


# Submittal

**3.5 Ton  
Convertible Air Handler  
A4AH4E42B1C30A**



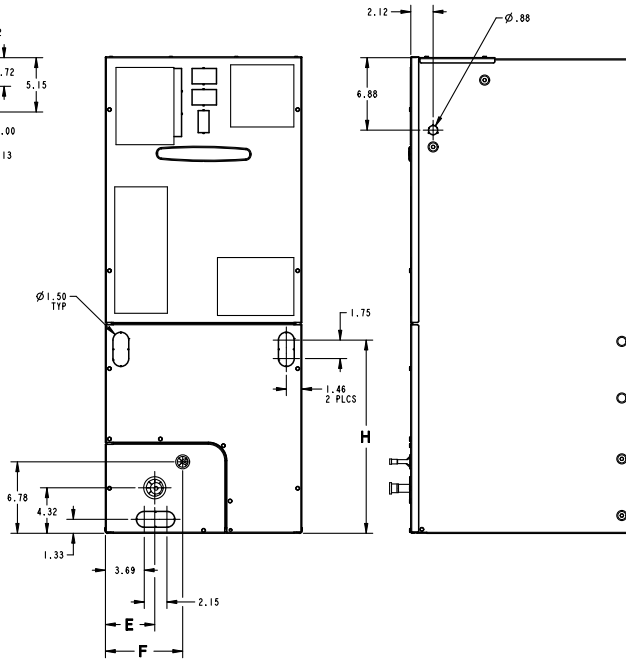
# Outline Drawing



| MINIMUM UNIT CLEARANCE TABLE |                                 |
|------------------------------|---------------------------------|
|                              | SERVICE CLEARANCE (RECOMMENDED) |
| SIDES                        | 2"                              |
| FRONT                        | 21"                             |
| BACK                         | 0"                              |
| INLET DUCT                   | 1"                              |
| OUTLET DUCT                  | N/A                             |

NOTE: THIS UNIT IS APPROVED FOR INSTALLATION CLEARANCES TO COMBUSTIBLE MATERIAL AS STATED ON THE UNIT RATING NAMEPLATE

NOTE: ALL DIMENSIONS ARE REFERENCE DIMENSIONS



## PRODUCT DIMENSIONS

| Air Handler Model | A     | B     | C     | D     | E    | F    | H     | Flow Control | Gas Line Braze |
|-------------------|-------|-------|-------|-------|------|------|-------|--------------|----------------|
| A4AH4E42B1C30A    | 51.27 | 23.50 | 21.50 | 21.75 | 7.01 | 9.66 | 24.59 | TXV          | 7/8            |

All dimensions are in inches

# Product Specifications

|                                       |                            |
|---------------------------------------|----------------------------|
| <b>MODEL</b>                          | A4AH4E42B1C30A             |
| <b>RATED VOLTS/PH/HZ</b>              | 208-230/1/60               |
| <b>RATINGS<sup>(a)</sup></b>          | See O.D. Specifications    |
| <b>INDOOR COIL — Type</b>             | Plate Fin                  |
| Rows — F.P.I.                         | 4 - 14                     |
| Face Area (sq. ft.)                   | 4.59                       |
| Tube Size (in.)                       | 3/8                        |
| Refrigerant Control                   | TXV                        |
| Drain Conn. Size (in.) <sup>(b)</sup> | 3/4 NPT                    |
| <b>DUCT CONNECTIONS</b>               | <b>See Outline Drawing</b> |
| <b>INDOOR FAN — Type</b>              | Centrifugal                |
| Diameter-Width (In.)                  | 11 X 8                     |
| No. Used                              | 1                          |
| Drive - No. Speeds                    | Direct - 5 <sup>(c)</sup>  |
| CFM vs. in. w.g.                      | See Fan Performance Table  |
| No. Motors — H.P.                     | 1 - 1/2                    |
| Motor Speed R.P.M.                    | 1050                       |
| Volts/Ph/Hz                           | 208-230/1/60               |

|                                   |                          |
|-----------------------------------|--------------------------|
| F.L. Amps                         | 4.1                      |
| <b>FILTER</b>                     |                          |
| Filter Furnished? <sup>(d)</sup>  | No                       |
| <b>REFRIGERANT</b>                | <b>R-410A</b>            |
| Ref. Line Connections             | Brazed                   |
| Coupling or Conn. Size — in. Gas  | 7/8                      |
| Coupling or Conn. Size — in. Liq. | 3/8                      |
| <b>DIMENSIONS</b>                 | H x W x D                |
| Crated (In.)                      | 52-3/4 x 27-1/2 x 25-1/2 |
| Uncrated                          | 51-3/8 x 23-1/2 x 21-1/8 |
| <b>WEIGHT</b>                     |                          |
| Shipping (Lbs.) / Net (Lbs.)      | 155/144                  |

<sup>(a)</sup> These Air Handlers are A.H.R.I certified with various Split System Air Conditioners and Heat Pumps (AHRI STANDARD 210/240). Refer to the Split System Outdoor Unit Product Data Guides for performance data.

<sup>(b)</sup> 3/4" Male Plastic Pipe (Ref: ASTM 1785-76)

<sup>(c)</sup> ECM Motor

<sup>(d)</sup> Remote filter required.

## Minimum Airflow CFM

| A4AH4E42B1C30A  |                        |                   |
|---|------------------------|-------------------|
| Heater  | Minimum Heat Speed Tap |                   |
|   | With Heat Pump         | Without Heat Pump |
| BAYHTR1504BRK, BAYHTR1504LUG,<br>BAYHTR1505BRK, BAYHTR1505LUG | Low                    | Low               |
| BAYHTR1508BRK, BAYHTR1508LUG,<br>BAYHTR1510BRK, BAYHTR1510LUG | Med-High               | Med-Low           |
| BAYHTR1523BRK   | Med-High               | Med               |
| BAYHTR1517BRK, BAYHTR3517LUG,<br>BAYHTR3510LUG                | High                   | Med               |

# Heater Pressure Drop Table

| Airflow<br>CFM | Number of Racks                 |      |      |      | Heater Racks |              |
|----------------|---------------------------------|------|------|------|--------------|--------------|
|                | 1                               | 2    | 3    | 4    | Heater Model | No. of Racks |
|                | Air Pressure Drop — Inches W.G. |      |      |      |              |              |
| 1800           | 0.02                            | 0.04 | 0.06 | 0.14 | BAYHTR1504   | 1            |
| 1700           | 0.02                            | 0.04 | 0.06 | 0.14 | BAYHTR1505   | 1            |
| 1600           | 0.02                            | 0.04 | 0.06 | 0.13 | BAYHTR1508   | 2            |
| 1500           | 0.02                            | 0.04 | 0.06 | 0.12 | BAYHTR1510   | 2            |
| 1400           | 0.02                            | 0.04 | 0.06 | 0.12 | BAYHTR1517   | 3            |
| 1300           | 0.02                            | 0.04 | 0.05 | 0.11 | BAYHTR3510   | 3            |
| 1200           | 0.01                            | 0.04 | 0.05 | 0.10 | BAYHTR3517   | 3            |
| 1100           | 0.01                            | 0.03 | 0.05 | 0.09 | BAYHTR3515   | 3            |
| 1000           | 0.01                            | 0.03 | 0.04 | 0.09 | BAYHTR1523   | 4            |
| 900            | 0.01                            | 0.03 | 0.04 | 0.08 | BAYHTR1525   | 4            |
| 800            | 0.01                            | 0.03 |      |      |              |              |
| 700            | 0.01                            | 0.02 |      |      |              |              |
| 600            | 0.01                            | 0.02 |      |      |              |              |

# Performance and Electrical Data

1. See Product Data or Air Handler nameplate for approved combinations of Air Handlers and Heaters.
2. Heater model numbers may have additional suffix digits.

**Table 1. Air Flow Performance**

| <b>A4AH4E42B1C30A</b>       |                             |                 |              |                |            |
|-----------------------------|-----------------------------|-----------------|--------------|----------------|------------|
| EXTERNAL STATIC<br>(in w.g) | AIRFLOW                     |                 |              |                |            |
|                             | Speed Taps: 208 – 230 VOLTS |                 |              |                |            |
|                             | <b>High</b>                 | <b>Med-High</b> | <b>Med †</b> | <b>Med-Low</b> | <b>Low</b> |
| 0.1                         | 1492                        | 1418            | 1302         | 1268           | 1140       |
| 0.2                         | 1460                        | 1385            | 1266         | 1230           | 1096       |
| 0.3                         | 1426                        | 1349            | 1228         | 1190           | 1050       |
| 0.4                         | 1390                        | 1311            | 1187         | 1147           | 1002       |
| 0.5                         | 1352                        | 1271            | 1144         | 1101           | 952        |
| 0.6                         | 1311                        | 1229            | 1099         | 1053           | 899        |
| 0.7                         | 1269                        | 1184            | 1051         | 1003           | 845        |

1. Values are with wet coil, no filter, and no heaters  
 2. CFM Correction for dry coil = Add 3%  
 3. † = Factory Setting  
 4. In downflow applications, airflow must not exceed 1600 cfm due to condensate blowoff.  
 5. Low = Tap 1, Med-Low = Tap 2, Med = Tap 3, Med-High= Tap 4, High = Tap 5

## Performance and Electrical Data

**Table 2. Electrical Data**

| <b>A4AH4E42B1C30A</b>  |                            |          |       |                               |                                |                                   |          |       |                               |                                |                                   |
|--|----------------------------|----------|-------|-------------------------------|--------------------------------|-----------------------------------|----------|-------|-------------------------------|--------------------------------|-----------------------------------|
| Heater Model No.   | No. of Circuits/<br>Phases | 240 Volt |       |                               |                                |                                   | 208 Volt |       |                               |                                |                                   |
|  |                            | Capacity |       | Heater<br>Amps per<br>Circuit | Minimum<br>Circuit<br>Ampacity | Maximum<br>Overload<br>Protection | Capacity |       | Heater<br>Amps per<br>Circuit | Minimum<br>Circuit<br>Ampacity | Maximum<br>Overload<br>Protection |
|  |                            | kW       | BTUH  |                               |                                |                                   | kW       | BTUH  |                               |                                |                                   |
| No Heater  |                            |          |       | 4.1 *                         | 5                              | 15                                |          |       | 4.1 *                         | 5                              | 15                                |
| BAYHTR1504BRK<br>BAYHTR1504LUG   | 1/1                        | 3.8      | 13100 | 16.0                          | 25                             | 25                                | 2.9      | 9800  | 13.8                          | 22                             | 25                                |
| BAYHTR1505BRK<br>BAYHTR1505LUG   | 1/1                        | 4.8      | 16400 | 20.0                          | 30                             | 30                                | 3.6      | 12300 | 17.3                          | 27                             | 30                                |
| BAYHTR1508BRK<br>BAYHTR1508LUG   | 1/1                        | 7.7      | 26200 | 32.0                          | 45                             | 45                                | 5.8      | 19700 | 27.7                          | 40                             | 40                                |
| BAYHTR1510BRK<br>BAYHTR1510LUG   | 1/1                        | 9.6      | 32800 | 40.0                          | 55                             | 60                                | 7.2      | 24600 | 34.6                          | 48                             | 50                                |
| BAYHTR1517BRK-<br>Circuit 1 <sup>(a)</sup>                               | 2/1                        | 9.6      | 32800 | 40.0                          | 55                             | 60                                | 7.2      | 24600 | 34.6                          | 48                             | 50                                |
| BAYHTR1517BRK-<br>Circuit 2  |                            | 4.8      | 16400 | 20.0                          | 25                             | 25                                | 3.6      | 12300 | 17.3                          | 22                             | 25                                |
| BAYHTR1523BRK-<br>Circuit 1  | 2/1                        | 9.6      | 32800 | 40.0                          | 55                             | 60                                | 7.2      | 24600 | 34.6                          | 48                             | 50                                |
| BAYHTR1523BRK-<br>Circuit 2  |                            | 9.6      | 32800 | 40.0                          | 50                             | 50                                | 7.2      | 24600 | 34.6                          | 43                             | 45                                |
| BAYHTR3510LUG  | 1/3                        | 9.6      | 32800 | 23.1                          | 33                             | 35                                | 7.2      | 24600 | 20.0                          | 30                             | 30                                |
| BAYHTR3517LUG  | 1/3                        | 14.4     | 49100 | 34.6                          | 48                             | 50                                | 10.8     | 36900 | 30.0                          | 42                             | 45                                |
| BAYHTR1517BRK<br>with single circuit<br>power source kit<br>BAYSPEKT201A | 1/1                        | 14.4     | 49100 | 60.0                          | 83                             | 90                                | 10.8     | 36900 | 51.9                          | 73                             | 80                                |

\* = Motor Amps

<sup>(a)</sup> MCA and MOP for circuit 1 contains the motor amps.

# Features and Benefits

- Galvanized metal cabinet with captured foil face insulation
- 2% or less air leakage
- R-4.2 Insulating Value
- Multi-Position UP/Down Flow, Horizontal Left /Right
- ALL Aluminum Coil
- Electric Heaters with polarized plug connections (sold as accessory)
- R-410A Thermal Expansion Valve
- ECM Motor ( **3.0 – 5 Ton Models** )
- Low Voltage Pigtail Connections

- Draw Through Design
- Horizontal Drain pan
- Single Color
- Fused 24V Power
- **5 year warranty**
- **Optional extended warranty available**

***Important:*** *Condensate management kit is required for all 5 ton air handler models installed in downflow applications.*

**About Trane and American Standard Heating and Air Conditioning**  
Trane and American Standard create comfortable, energy efficient indoor environments for residential applications. For more information, please visit [www.trane.com](http://www.trane.com) or [www.americanstandardair.com](http://www.americanstandardair.com).

---



The manufacturer has a policy of continuous data improvement and it reserves the right to change design and specifications without notice. We are committed to using environmentally conscious print practices.