

Installer's Guide

Start Control Kit

BAYKSKT267

⚠ WARNING: HAZARDOUS VOLTAGE – DISCONNECT POWER BEFORE SERVICING

ALL phases of this installation must comply with NATIONAL, STATE AND LOCAL CODES

IMPORTANT—This Document is customer property and is to remain with this unit. Please return to service information pack upon completion of work.

START CONTROL KIT CONTENTS:

No.	Qty.	Description
1	1	Start Capacitor
2	1	Relay
3	1	Capacitor Strap
4	1	#6-20 Self-drilling Screw
5	2	#10-16 Self-drilling Screw
6	1	Installer's Guide
7	1	NEMA Enclosure with included mounting plate, accessories & fasteners
8	1	Ground Wire
9	1	Warning Label

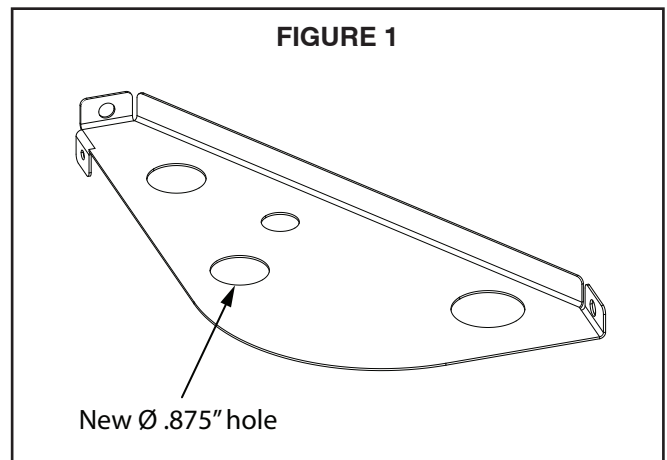
INSPECTION:

Check carefully for any shipping damage. This must be reported to and claims made against the transportation company immediately. Any missing parts should be reported to your supplier at once and replaced with authorized parts only.

INSTALLATION:

Mounting Start Control Kit Components

1. Be certain power to unit is DISCONNECTED.
2. Remove cover panel on unit control box compartment.
3. Locate the unit control box bottom and mark the hole position in the approximate location as shown in Figure 1.
4. Using a .875" drill bit, drill a hole through the unit control box bottom. Make sure not to damage any wiring or components. Deburr the drilled hole and remove any unwanted material.



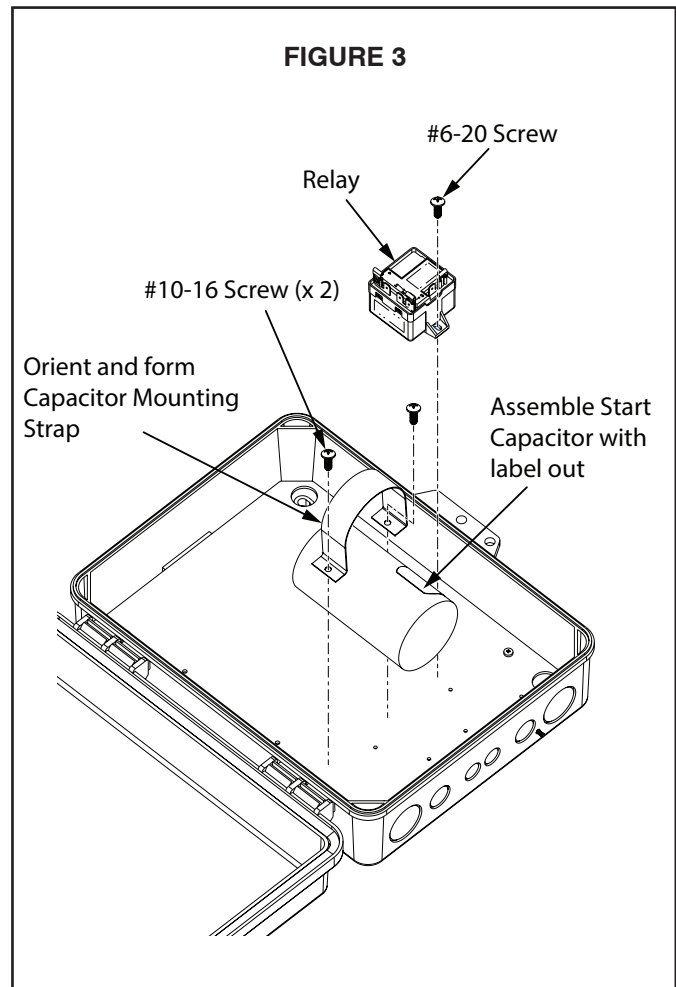
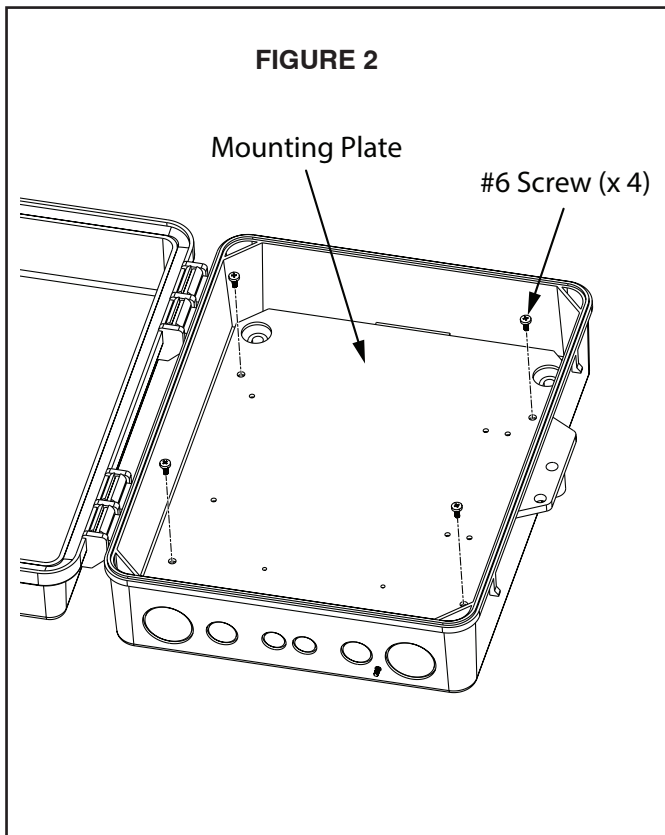
Installer's Guide

5. Open Start Control Kit and remove kit contents.
6. Using the provided "key", loosen the tamper-proof security screw of the NEMA Enclosure. NEMA enclosure is a third party kit with included mounting plate, accessories & fasteners.
7. Secure the mounting plate inside of box using four of the enclosure provided #6 screws as shown in Figure 2.
8. Knock or drill out one of the enclosure cutouts to route the 1/2" conduit.
9. Mount the NEMA enclosure to the side of the house or structure such that the distance between the unit control box and the external enclosure is minimized as much as possible.

10. Secure the NEMA enclosure using field provided screws. Use the enclosure-provided rubber bonded washers to ensure water-tight seal. A silicone sealant can also be added to enhance the seal.

NOTE: Due to the multitude of potential structure materials, the screws needed for mounting NEMA enclosure to structure will be field-provided.

11. Using the #6-20 and #10-16 self-drilling screws provided, secure the relay and capacitor in the approximate locations as shown in Figure 3.

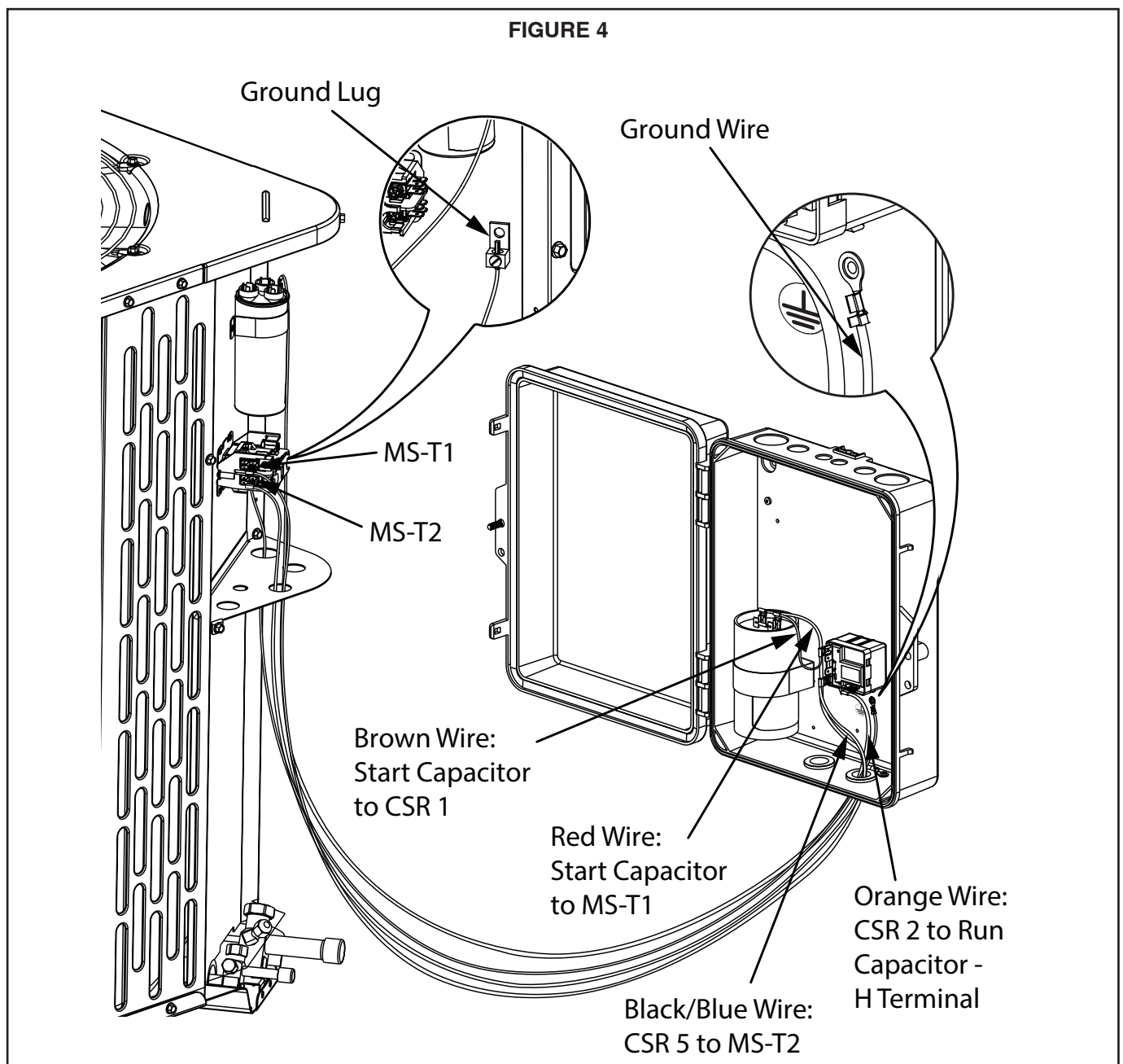


Wiring Start Control Kit Components

1. Connect the color coded start control wires with quick connect $\frac{1}{4}$ " flag terminals to the contactor and capacitor as illustrated in Figure 4.
2. Connect stripped end of the provided ground wire to the ground lug in the unit control box. The lug will now have two grounds connected to it: unit ground and external kit ground.
3. Connect the other end of the ground wire in the external box at the location shown in Figure 4.
4. Secure the ring terminal using one of the #6 screws provided with the NEMA enclosure.
5. Locate red and white ground symbol sticker and move it to be next to ground hole.

NOTE: *There may be a ground wire provided & assembled in the kit upon opening. Remove that wire. It is not used in this accessory installation.*

6. Route all three high voltage wires and ground wire through field-supplied $\frac{1}{2}$ " conduit.
7. Secure field-supplied liquid tight conduit fittings at enclosure and control box entries.
8. Attach the warning label to the NEMA enclosure cover. This label provides a warning for hazardous voltage.
9. Re-connect power, which was disconnected in Step 1.



Installer's Guide

Literature Number 88-MACC014-1A-EN

Superceded Literature Number New

10/19

6200 Troup Highway
Tyler, TX 75707

For more information contact
your local dealer (distributor)

© 2019 Trane U.S. Inc.

Since the manufacturer has a policy of continuous product and product data improvement, it reserves the right to change design and specifications without notice.