

INSTALLER'S GUIDE

TEMBRKSEALKT01A

18-GJ85D1-1B-EN

Important -- This is Customer property and is to remain with this unit. Please return to service information pack upon completion of work.

Model:
TEMBRKSEALKT01A, TEMBRKSEALKT25A

Breaker Seal Kit

TEMBRKSEALKT01A Used With:
BAYHTR1504-20 kW heaters in TEM or A4AH4 air handler units

TEMBRKSEALKT25A Used With:
BAYHTR1525BRKAB 25 kW heater and BAYSPEKT201 in TEM or A4AH4 air handler units,
BAYHTR1504-20 kW heaters in TEM8A0B24-30 air handler units

ALL phases of this installation must comply with NATIONAL, STATE AND LOCAL CODES

⚠ WARNING

THIS INFORMATION IS FOR USE BY INDIVIDUALS HAVING ADEQUATE BACKGROUNDS OF ELECTRICAL AND MECHANICAL EXPERIENCE. ANY ATTEMPT TO REPAIR A CENTRAL AIR CONDITIONING PRODUCT MAY RESULT IN PERSONAL INJURY AND/OR PROPERTY DAMAGE. THE MANUFACTURER OR SELLER CANNOT BE RESPONSIBLE FOR THE INTERPRETATION OF THIS INFORMATION, NOR CAN IT ASSUME ANY LIABILITY IN CONNECTION WITH ITS USE.

⚠ WARNING

HAZARD OF ELECTRICAL SHOCK!
MORE THAN ONE DISCONNECT MAY BE REQUIRED TO DE-ENERGIZE EQUIPMENT FOR SERVICING. Failure to disconnect power before servicing can cause severe personal injury or death.

GENERAL

These instructions are for installation of TEMBRKSEALKT kits when installed on a TEM or A4AH4 air handler.

Check for any shipping damage, and if any, report it to the carrier immediately.

IMPORTANT:

The field electrical connections and wiring must be done in accordance with the "National Electrical Code" and must comply with local electrical codes.

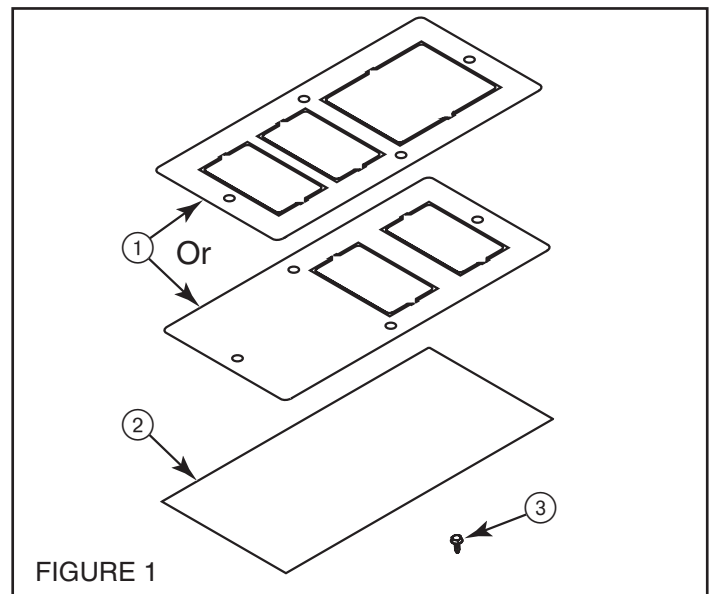
IMPORTANT:

Verify that the appropriate kit, heater and air handler combination have been selected.

Before beginning the installation, verify that the available power supply complies with the requirements of the accessory heater and Air Handler unit model being used.

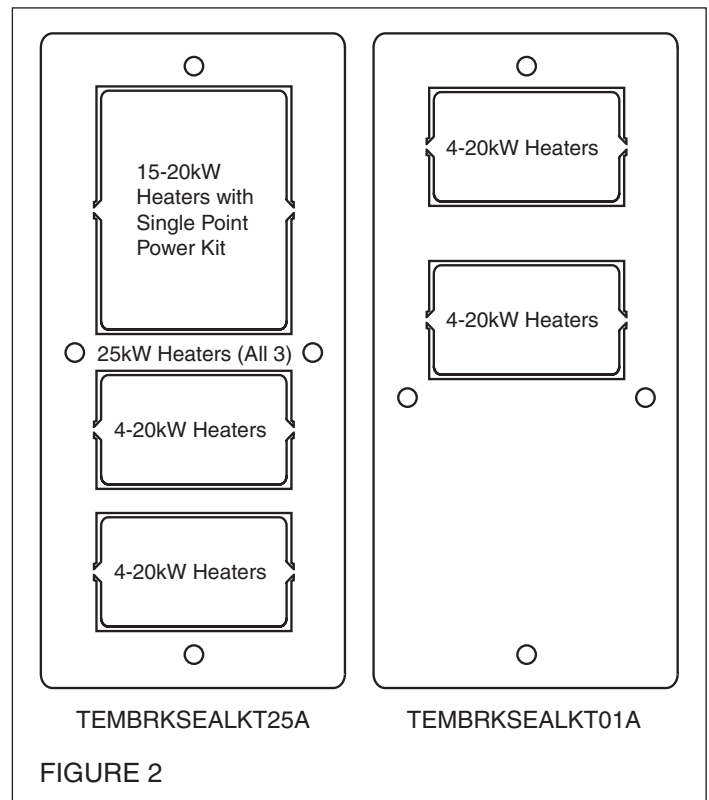
KIT COMPONENTS

Item No.	Description	Quantity
1	Breaker Cover	1
2	Breaker Plate Gasket	1
3	Screw Hex #10 Self-tap	4
4	Installer's Guide	1

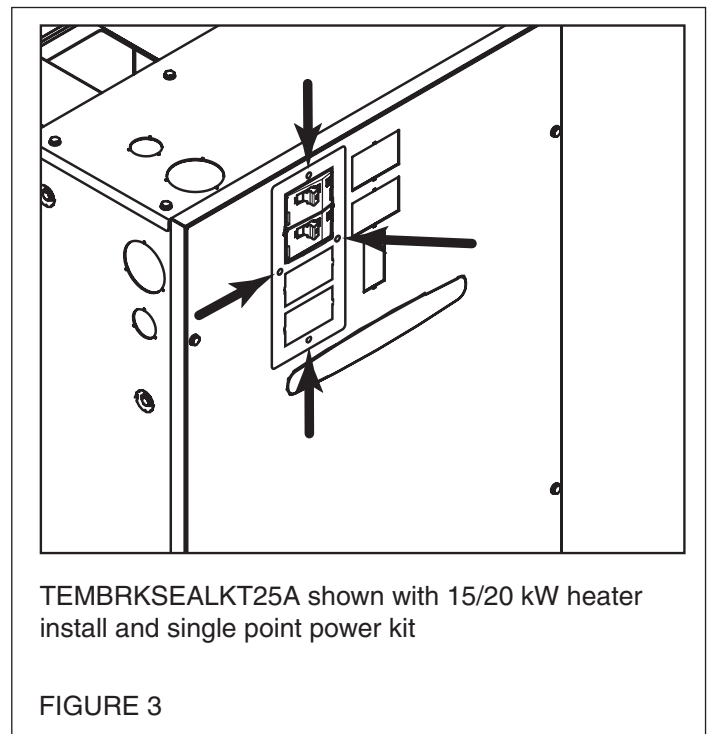


INSTALLATION OF THE SEAL KIT:

1. Determine number of breakers and their location(s) on the blower door panel. Twist out the matching breaker cover insert(s).
Note: The left heater knockout must be used for the TEM8A0B24-30 air handlers.
2. Adhere gasket to back side of cover plate.
3. Using a utility knife, cut around the perimeter of breaker hole(s).
Note: Use fresh blade and cut as close as possible to the twist out hole edges to ensure an air tight fit with breaker(s).
4. With the breakers and air handler blower door in place, set the seal kit over the breakers to cover the blower door knockout.



5. Use the (4) self-drilling screws included with the kit to fasten the cover plate to front door panel.



About Trane and American Standard Heating and Air Conditioning

Trane and American Standard create comfortable, energy efficient indoor environments for residential applications. For more information, please visit www.trane.com or www.americanstandardair.com

The manufacturer has a policy of continuous data improvement and it reserves the right to change design and specifications without notice. We are committed to using environmentally conscious print practices.